

AC DUCT FAN

300 x 265 mm

M200 Series



2-Speed : High and Low

Impeller : 10 blades ,made of plastic

扇 叶: 10叶 ,塑料

Frame : Made of plastic

扇 框: 塑料

Motor : Capacitor-run induction motor

電 機: 电容运转异步電機

Motor Protection : Thermal protection

電機保护: 热保护

Model (型号)	Bearing System (轴承)	Rated Voltage (电压) [V]	Freq. (频率) [Hz]	Current (电流) [A]	Input power (功率) [W]	Speed (转速) [RPM]	Maximum Air Flow (风量) [CFM]	Maximum Air Flow (风量) [m ³ /min]	Max. Static Pressure (静压) [InchH ₂ O]	Max. Static Pressure (静压) [Pa]	Niose Level (噪音) [dB-A]	Mass (质量) [g]
M200A2-H	Ball	230	50	0.63	150	2100	550	15.6	1.14	284	59	4 000
-L	Ball	230	50	0.54	125	1700	440	12.5	1.02	254	53	4 000

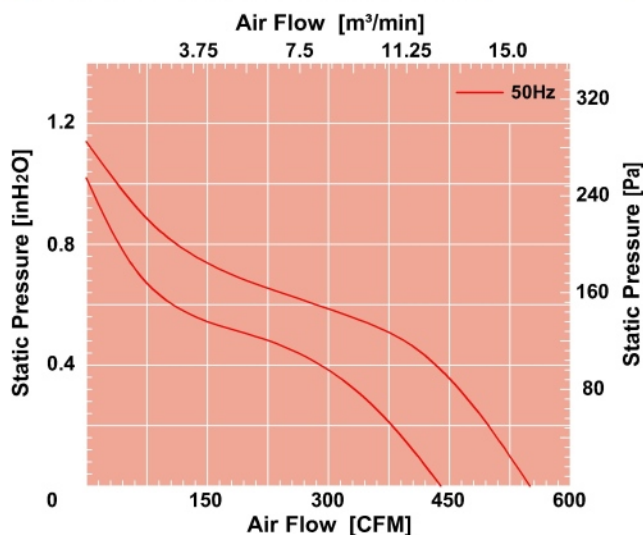


MUTUAL MOTOR

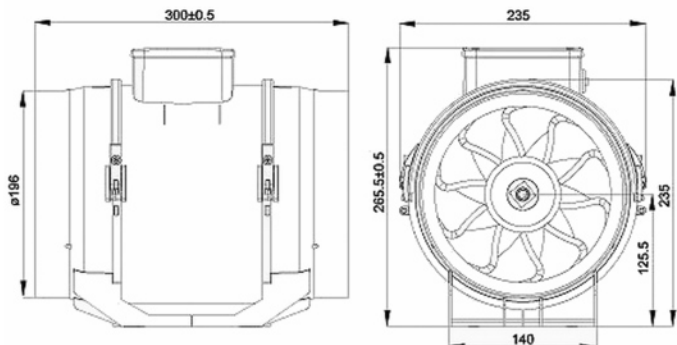
管
道
風
機

www.mutualmotor.com

Air Flow & Static Pressure Curve



Dimensions Drawing



Above specification is only for reference and subject to change without notice.

以上数据仅供参考，如有变更恕不另行通知。