

# M150 Series

# AC DUCT FAN 294 x 235 mm



2-Speed : High and Low

Impeller : 8 blades ,made of plastic

扇 叶: 8叶,塑料

Frame : Made of plastic

扇 框: 塑料

Motor : Capacitor-run induction motor

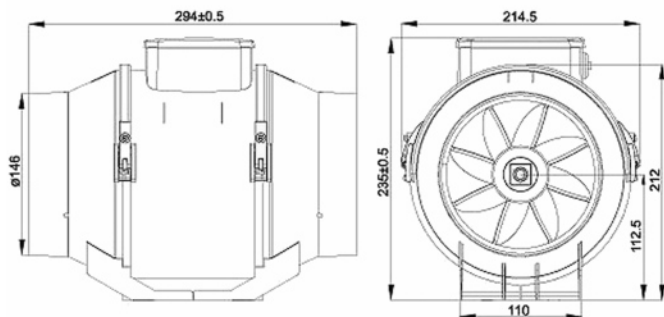
電 機: 电容运转异步電機

Motor Protection : Thermal protection

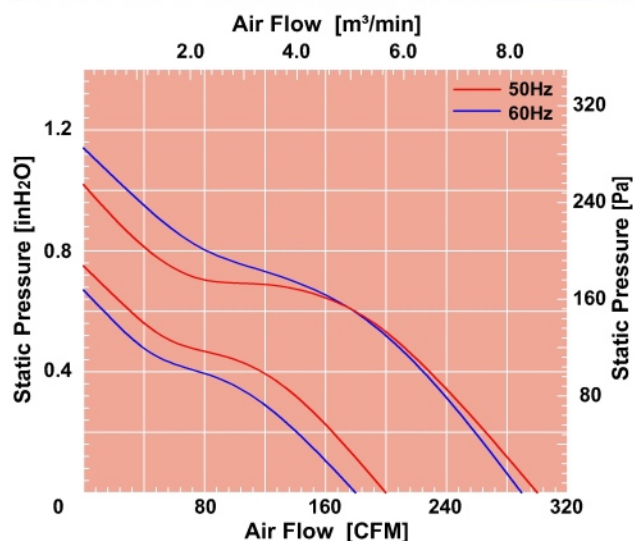
電機保护: 热保护

Model (型号)	Bearing System (轴承)	Rated Voltage (电压) [V]	Freq. (频率) [Hz]	Current (电流) [A]	Input power (功率) [W]	Speed (转速) [RPM]	Maximum Air Flow (风量) [CFM]	Maximum Air Flow (风量) [m <sup>3</sup> /min]	Max. Static Pressure (静压) [InchH <sub>2</sub> O]	Max. Static Pressure (静压) [Pa]	Niose Level (噪音) [dB-A]	Mass (质量) [g]
M150A1-H	Ball	115	60	0.65	75	1900	290	8.2	1.14	284	61	2600
-L	Ball	115	60	0.46	52	1300	180	5.1	0.67	167	50	2600
M150A2-H	Ball	230	50	0.27	65	2000	300	8.5	1.02	254	62	2600
-L	Ball	230	50	0.21	50	1400	200	5.7	0.75	186	53	2600

## Dimensions Drawing



## Air Flow & Static Pressure Curve



Above specification is only for reference and subject to change without notice.

以上数据仅供参考，如有变更恕不另行通知。