

M195RR Series

AC AXIAL FAN

Ø222x80 mm



Impeller : 5 blades ,made of steel

扇 叶: 5叶 钢制

Frame : Made of die-cast Aluminum ADC-12

扇 框: 压铸铝 ADC-12

Motor : External rotor & capacitor-run induction motor

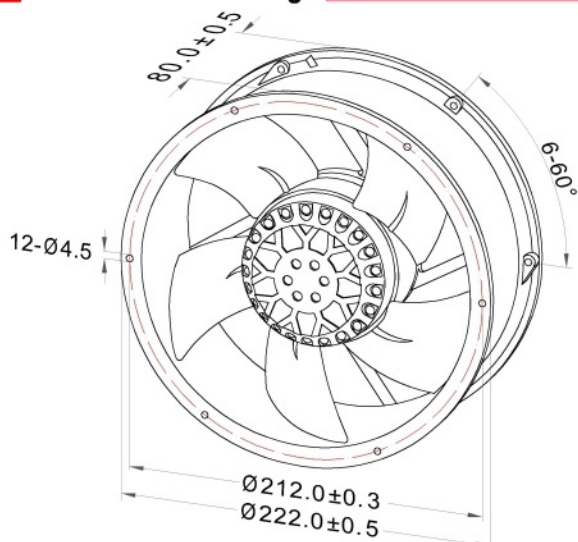
電 機: 外转子电容运转异步電機

Motor Protection : Thermal protection

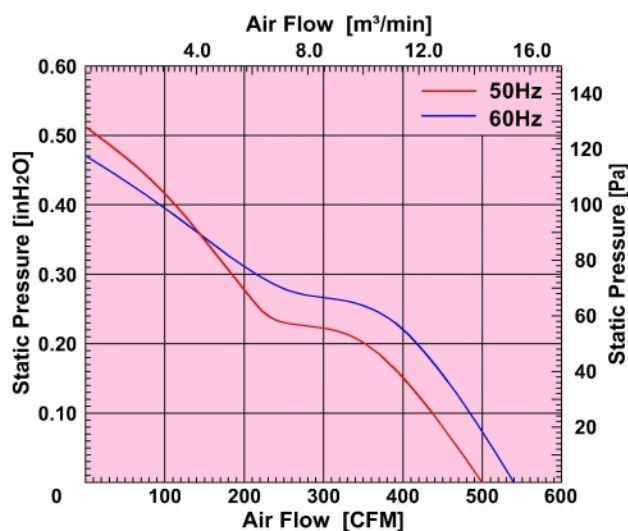
電機保护 : 热保护

| Model (型号) | Bearing System (轴承) | Rated Voltage (电压) [V] | Freq. (频率) [Hz] | Current (电流) [A] | Input power (功率) [W] | Speed (转速) [RPM] | Maximum Air Flow (风量) [CFM] | Maximum Air Flow (风量) [m³/min] | Max. Static Pressure (静压) [InchH ₂ O] | Max. Static Pressure (静压) [Pa] | Niose Level (噪音) [dB-A] | Mass (质量) [g] |
|---------------|------------------------|------------------------------|-----------------------|------------------------|----------------------------|------------------------|-----------------------------------|--------------------------------------|--|--------------------------------------|-------------------------------|---------------------|
| M195RRA1H | Ball | 115 | 50/60 | 0.56/0.68 | 62/76 | 2600/2800 | 500/545 | 14.2/15.4 | 0.51/0.47 | 127.4/117.6 | 55/58 | 2000 |
| M195RRA2H | Ball | 230 | 50/60 | 0.28/0.35 | 62/77 | 2600/2800 | 500/545 | 14.2/15.4 | 0.51/0.47 | 127.4/117.6 | 55/58 | 2000 |
| M195RRA3H | Ball | 380 | 50/60 | 0.16/0.19 | 56/68 | 2600/2800 | 500/545 | 14.2/15.4 | 0.51/0.47 | 127.4/117.6 | 55/58 | 2000 |
| M195RRA3ØH | Ball | 380 | 50/60 | 0.16/0.19 | 56/68 | 2600/2800 | 500/545 | 14.2/15.4 | 0.51/0.47 | 127.4/117.6 | 58/58 | 2000 |

Dimensions Drawing



Air Flow & Static Pressure Curve



Above specification is only for reference and subject to change without notice.

以上数据仅供参考，如有变更恕不另行通知。