

AC AXIAL FAN

Ø 172x150x51mm

M145C
Series



Impeller : 5 blades ,made of steel
扇 叶: 5叶 钢制

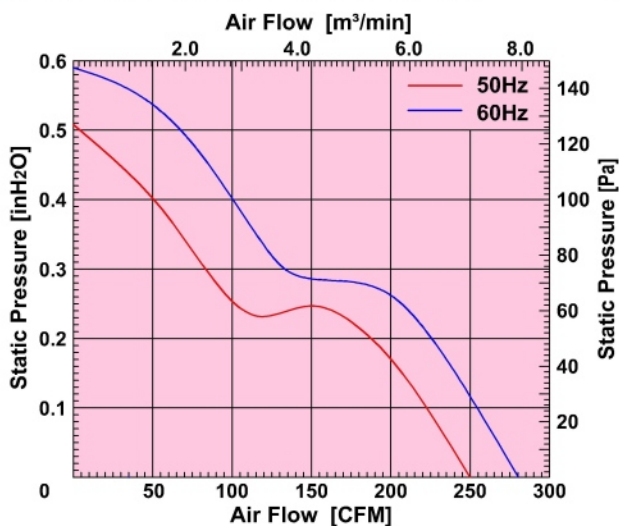
Frame : Made of die-cast Aluminum ADC-12
扇 框: 压铸铝 ADC-12

Motor : External rotor & capacitor-run induction motor
電 機: 外转子电容运转异步 電機

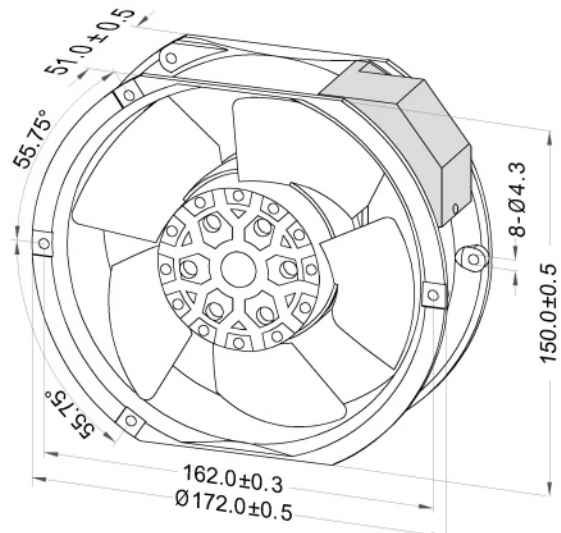
Motor Protection : Thermal protection
電機保护 : 热保护

Model (型号)	Bearing System (轴承)	Rated Voltage (电压) [V]	Freq. (频率) [Hz]	Current (电流) [A]	Input power (功率) [W]	Speed (转速) [RPM]	Maximum Air Flow (风量) [CFM]	Maximum Air Flow (风量) [m³/min]	Max. Static Pressure (静压) [InchH ₂ O]	Max. Static Pressure (静压) [Pa]	Niose Level (噪音) [dB-A]	Mass (质量) [g]
M145CA1H	Ball	115	50/60	0.38/0.34	36/34	2700/3200	250/280	7.0/7.93	0.51/0.58	127/145	54/57	900
M145CA2H	Ball	230	50/60	0.12/0.15	28/32	2700/3200	250/280	7.0/7.93	0.51/0.58	127/145	54/57	900

Air Flow & Static Pressure Curve



Dimensions Drawing



Above specification is only for reference and subject to change without notice.
以上数据仅供参考，如有变更恕不另行通知。