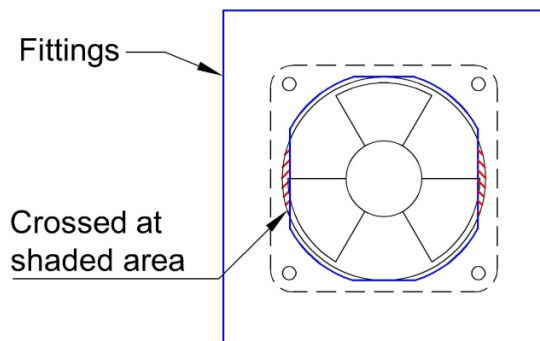


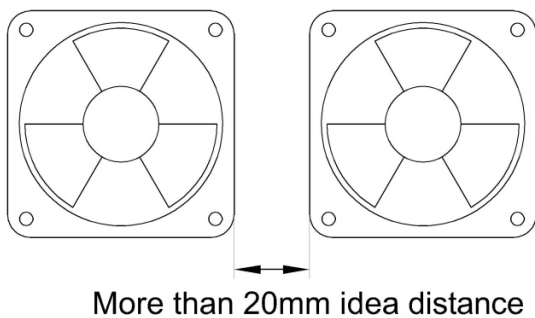
Keep some distance, between the object to be cooled and the inlet of the fan

保持一定的距离，在被冷却对象和风扇的进风口。



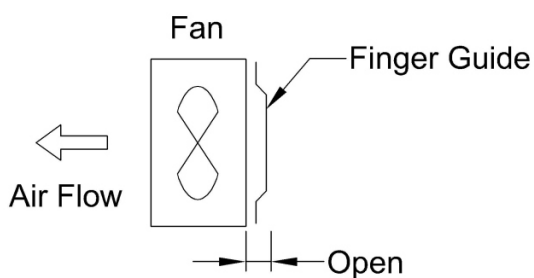
When fittings are used ,pay attention not to cross each other.

当风扇装入设备时, 请注意不要互相交叉。



When more than two fans are used, please keep them apart.

当使用两个以上风扇, 请保持距离。



When finger guide is used, please keep it separated from the fan.

当使用网罩时, 请保持它与风扇分离。