



Impeller : 5 blades ,made of PBT resin

扇 叶: 5叶 PBT塑料

Frame : Made of die-cast Aluminum ADC-12

扇 框: 压铸铝 ADC-12

Motor : Shaded pole induction motor

電 機: 蔽極异步電機

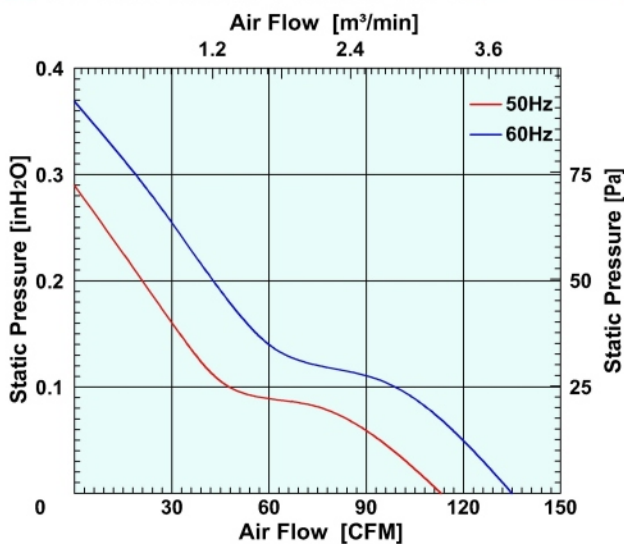
Motor Protection : Impedance protection

電機保护: 阻抗保护

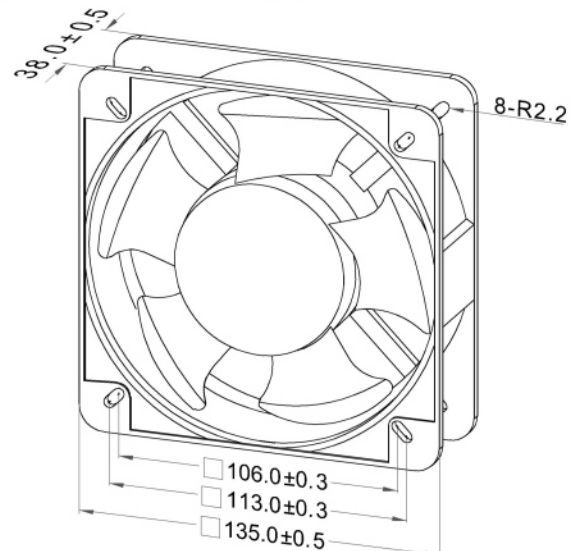
Model (型号)	Bearing System (轴承)	Rated Voltage (电压) [V]	Freq. (频率) [Hz]	Current (电流) [A]	Input power (功率) [W]	Speed (转速) [RPM]	Maximum Air Flow (风量) [CFM]	Maximum Air Flow (风量) [m ³ /min]	Max. Static Pressure (静压) [InchH ₂ O]	Max. Static Pressure (静压) [Pa]	Niose Level (噪音) [dB-A]	Mass (质量) [g]
M127BA1H	B/S	115	50/60	0.34/0.28	25/19	2600/3050	113/135	3.2/3.8	0.29/0.37	72/92	46/53	555
M127BA2H	B/S	230	50/60	0.18/0.13	23/18	2600/3050	113/135	3.2/3.8	0.29/0.37	72/92	46/53	555



Air Flow & Static Pressure Curve



Dimensions Drawing



Above specification is only for reference and subject to change without notice.

以上数据仅供参考，如有变更恕不另行通知。