



Impeller : 7 blades ,made of PBT resin

扇 叶: 7叶 PBT塑料

Frame : Made of die-cast Aluminum ADC-12

扇 框: 压铸铝 ADC-12

Motor : Capacitor-run induction motor

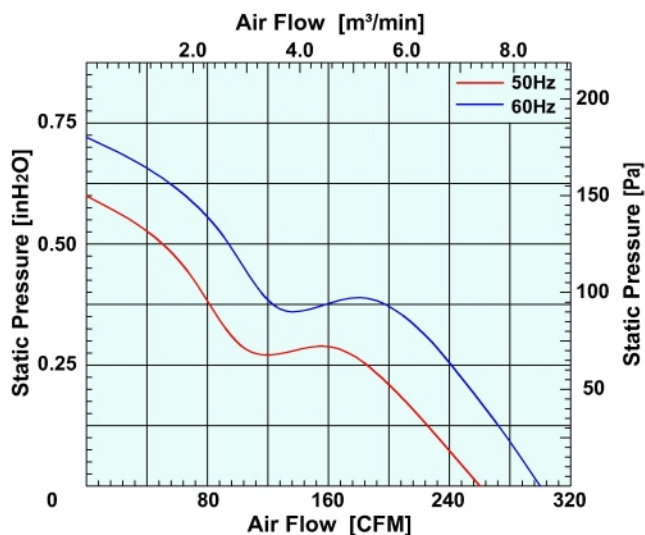
電 機: 电容运转异步电机

Motor Protection : Thermal protection

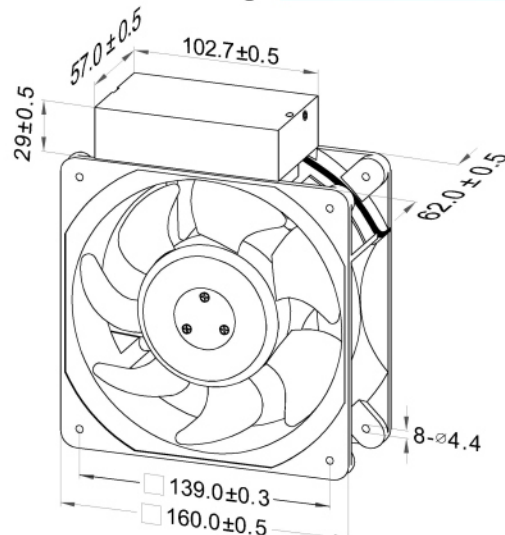
电机保护: 热保护

Model (型号)	Bearing System (轴承)	Rated Voltage (电压) [V]	Freq. (频率) [Hz]	Current (电流) [A]	Input power (功率) [W]	Speed (转速) [RPM]	Maximum Air Flow (风量) [CFM]	Maximum Air Flow (风量) [m ³ /min]	Max. Static Pressure (静压) [InchH ₂ O]	Max. Static Pressure (静压) [Pa]	Niose Level (噪音) [dB-A]	Mass (质量) [g]
M140EA1H	Ball	115	50/60	0.40/0.48	46/55	2850/3300	260/300	7.36/8.5	0.60/0.72	150/180	54/59	1200
M140EA2H	Ball	230	50/60	0.20/0.24	46/55	2850/3300	260/300	7.36/8.5	0.60/0.72	150/180	54/59	1200

Air Flow & Static Pressure Curve



Dimensions Drawing



Above specification is only for reference and subject to change without notice.

以上数据仅供参考，如有变更恕不另行通知。