



Impeller : 5 blades ,made of PBT resin

扇 叶: 5叶 PBT塑料

Frame : Made of die-cast Aluminum ADC-12

扇 框: 压铸铝 ADC-12

Motor : Capacitor-run induction motor

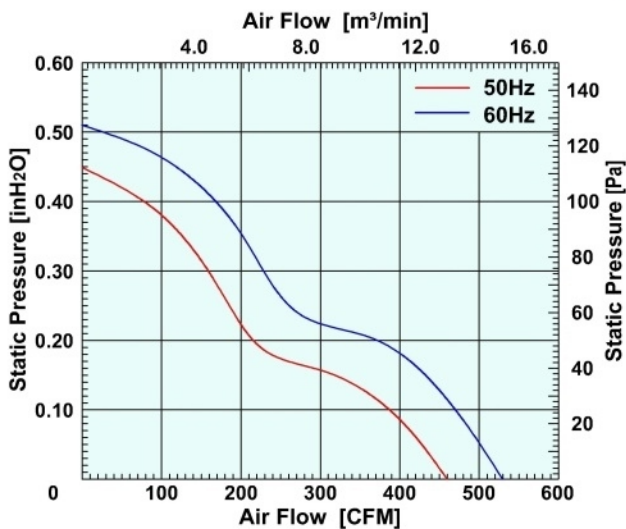
電 機: 电容运转异步电机

Motor Protection : Thermal protection

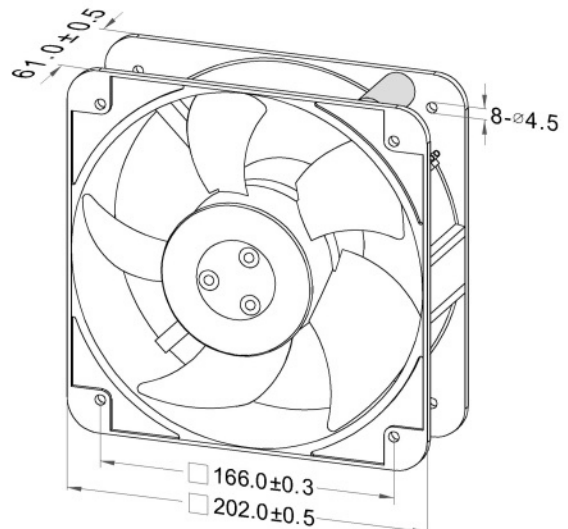
电机保护: 热保护

Model (型号)	Bearing System (轴承)	Rated Voltage (电压) [V]	Freq. (频率) [Hz]	Current (电流) [A]	Input power (功率) [W]	Speed (转速) [RPM]	Maximum Air Flow (风量) [CFM]	Maximum Air Flow (风量) [m³/min]	Max. Static Pressure (静压) [InchH ₂ O]	Max. Static Pressure (静压) [Pa]	Niose Level (噪音) [dB-A]	Mass (质量) [g]
M195EA1H	Ball	115	50/60	0.63/0.72	72/80	2750/3100	460/530	13.0/15.0	0.45/0.51	112/127	60/65	1500
M195EA2H	Ball	230	50/60	0.32/0.36	72/80	2750/3100	460/530	13.0/15.0	0.45/0.51	112/127	60/65	1500
M195EA3H	Ball	380	50/60	0.19/0.20	72/80	2750/3100	460/530	13.0/15.0	0.45/0.51	112/127	60/65	1500
M195EA3ØH	Ball	380	50/60	0.19/0.20	72/80	2750/3100	460/530	13.0/15.0	0.45/0.51	112/127	60/65	1500

Air Flow & Static Pressure Curve



Dimensions Drawing



Above specification is only for reference and subject to change without notice.
 以上数据仅供参考，如有变更恕不另行通知。