

AUTO
RESTAR

PWM

FG

RD
SIGNAL H

RD
SIGNAL L

EC Centrifugal Fan Ø310 x 190 mm

M310 Series



Impeller : Made of Aluminum

風 輪: 鋁合金

Frame : Made of die-cast Aluminum

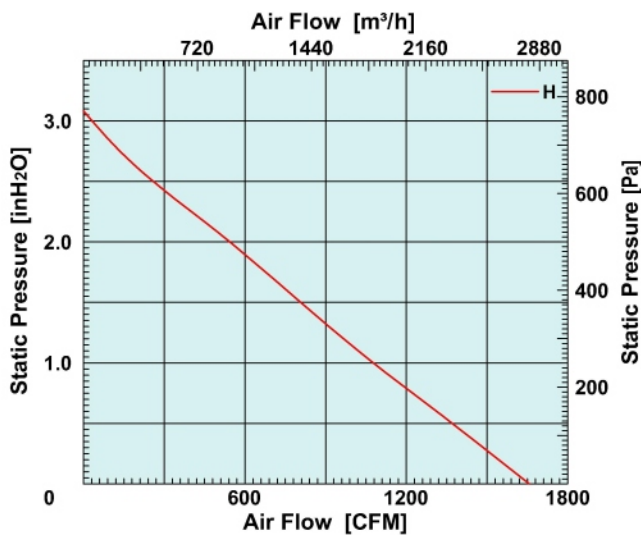
外 框: 壓鑄鋁合金

Motor : 8 Poles brushless DC motor

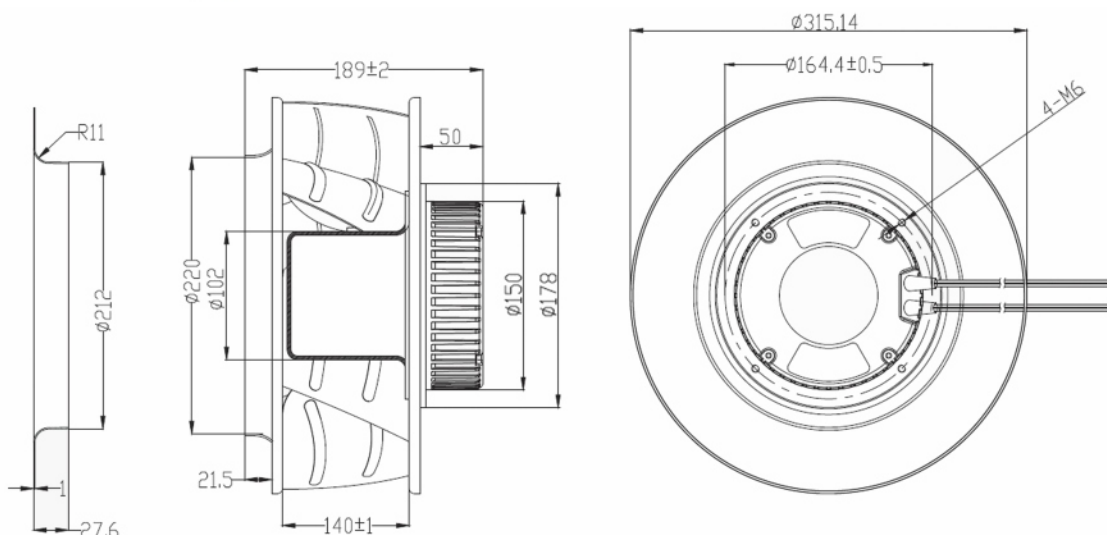
電 機: 8極無刷直流

Model (型号)	Bearing System (軸承)	Rated Voltage (电压) [VAC]	Voltage Range (电压范围) [VAC]	Freq. (频率) [Hz]	Input Power (功率) [W]	Speed (转速) [RPM]	Maximum Air Flow (风量) [CFM]	Maximum Air Flow (风量) [m³/h]	Max. Static Pressure (静压) [InH ₂ O]	Max. Static Pressure (静压) [Pa]	Niose Level (噪音) [dB-A]	Mass (质量) [g]
M310HE2	Ball	220	100~240	50/60	380	2050	1658	2820	3.08	768	67	4400

Air Flow & Static Pressure Curve



Dimensions Drawing



Above specification is only for reference and subject to change without notice.

以上数据仅供参考，如有变更恕不另行通知。



MUTUAL MOTOR

EC
离心風機

www.mutualmotor.com