

M250 Series

DC Centrifugal Fan
Ø250 x 94 mm

AUTO
RESTART

PWM

FG

RD
SIGNAL H

RD
SIGNAL L



Impeller : Made of plastic ABS UL94 V-0

風 輪: ABS塑料制, 阻燃等级UL94 V-0

Frame : Made of die-cast Aluminum

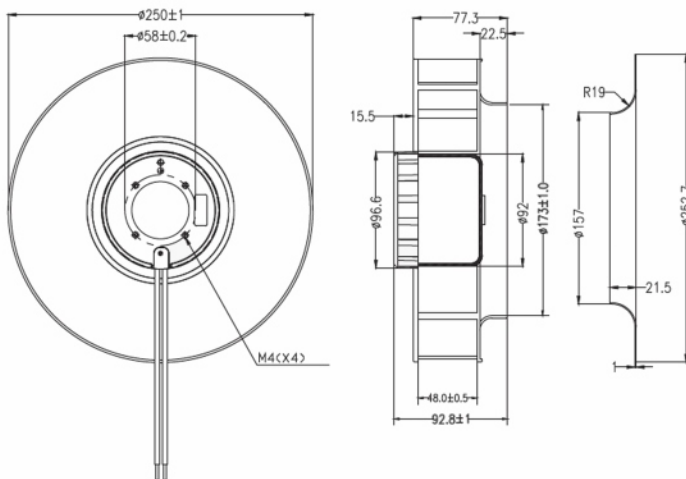
外 框: 压铸铝合金

Motor : 8 Poles brushless DC motor

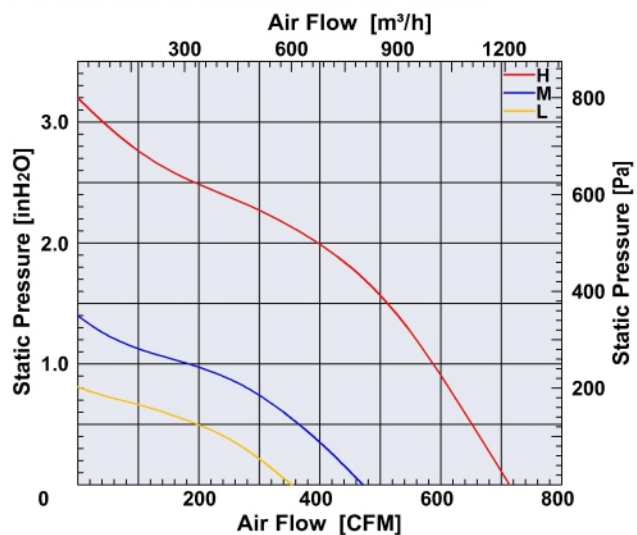
電 機: 8极无刷直流

| Model (型号) | Bearing System (轴承) | Rated Voltage (电压) [V] | Voltage Range (电压范围) [V] | Current (电流) [A] | Speed (转速) [RPM] | Maximum Air Flow (风量) [CFM] | Maximum Air Flow (风量) [m³/h] | Max. Static Pressure (静压) [InH₂O] | Max. Static Pressure (静压) [Pa] | Noise Level (噪音) [dB-A] | Mass (质量) [g] |
|---------------|------------------------|------------------------------|--------------------------------|------------------------|------------------------|-----------------------------------|------------------------------------|---|--------------------------------------|-------------------------------|---------------------|
| M250LD2 | Ball | 24 | 18.0~26.5 | 4.5 | 1500 | 357.2 | 607.2 | 0.8 | 198.2 | 61.3 | 2000 |
| M250MD2 | Ball | 24 | 18.0~26.5 | 5.6 | 2000 | 476.3 | 809.7 | 1.4 | 352.3 | 67.5 | 2000 |
| M250HD2 | Ball | 24 | 18.0~26.5 | 7.2 | 3000 | 714.4 | 1214.5 | 3.2 | 792.8 | 76.3 | 2000 |
| M250LD4 | Ball | 48 | 36.0~54.0 | 2.2 | 1500 | 357.2 | 607.2 | 0.8 | 198.2 | 61.3 | 2000 |
| M250MD4 | Ball | 48 | 36.0~54.0 | 2.9 | 2000 | 476.3 | 809.7 | 1.4 | 352.3 | 67.5 | 2000 |
| M250HD4 | Ball | 48 | 36.0~54.0 | 3.9 | 3000 | 714.4 | 1214.5 | 3.2 | 792.8 | 76.3 | 2000 |

Dimensions Drawing



Air Flow & Static Pressure Curve



Above specification is only for reference and subject to change without notice.
以上数据仅供参考, 如有变更恕不另行通知。