

M9733 Series

DC BLOWER
97 x 97 x 33 mm

AUTO
RESTART

PWM

FG

RD
SIGNAL H

RD
SIGNAL L

Impeller : Made of plastic PBT UL94 V-0

風 輪: PBT塑料制, 阻燃等级UL94 V-0

Frame : Made of plastic PBT UL94 V-0

扇 框: PBT塑料制, 阻燃等级UL94 V-0

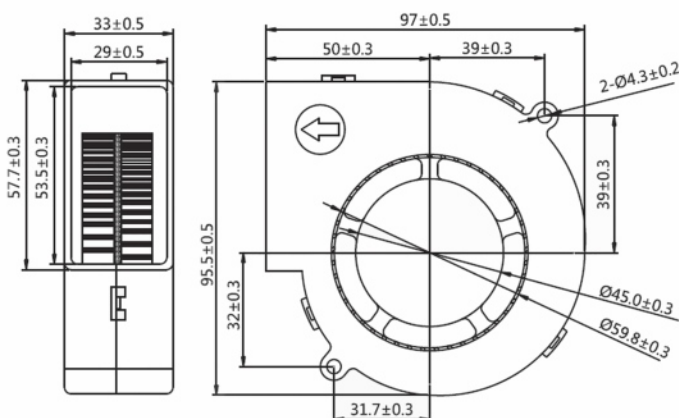
Motor : 4 Poles brushless DC motor

電 機: 4极无刷直流

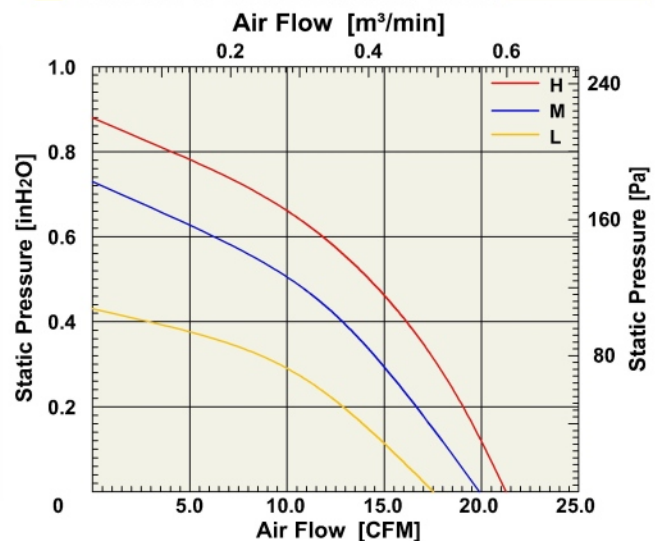


Model (型号)	Bearing System (轴承)	Rated Voltage (电压) [V]	Voltage Range (电压范围) [V]	Current (电流) [A]	Speed (转速) [RPM]	Maximum Air Flow (风量) [CFM]	Maximum Air Flow (风量) [m³/min]	Max. Static Pressure (静压) [InH2O]	Max. Static Pressure (静压) [Pa]	Niose Level (噪音) [dB-A]	Mass (质量) [g]
M9733LD1	B/S	12	6.0~13.5	0.35	3200	17.54	0.50	0.43	107	46.5	165
M9733LD2	B/S	24	18.0~26.5	0.18	3200	17.54	0.50	0.43	107	46.5	165
M9733MD1	B/S	12	6.0~13.5	0.54	4000	19.83	0.56	0.73	181.8	52	168
M9733MD2	B/S	24	18.0~26.5	0.32	4000	19.83	0.56	0.73	181.8	52	168
M9733HD1	B/S	12	6.0~13.5	0.75	4500	21.23	0.60	0.88	219	54	168
M9733HD2	B/S	24	18.0~26.5	0.40	4500	21.23	0.60	0.88	219	54	168

Dimensions Drawing



Air Flow & Static Pressure Curve



Above specification is only for reference and subject to change without notice.

以上数据仅供参考, 如有变更恕不另行通知。