

M6038 Series

EC AXIAL FAN

60 x 60 x 38 mm



Impeller : 7 blades ,made of plastic PBT UL94 V-0

扇 叶: 7叶,PBT塑料制, 阻燃等级UL94 V-0

Frame : Made of plastic PBT UL94 V-0

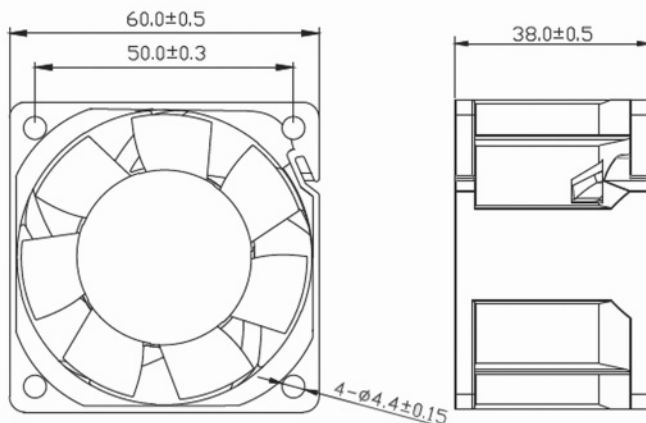
扇 框: PBT塑料制, 阻燃等级UL94 V-0

Motor : 4 Poles brushless DC motor

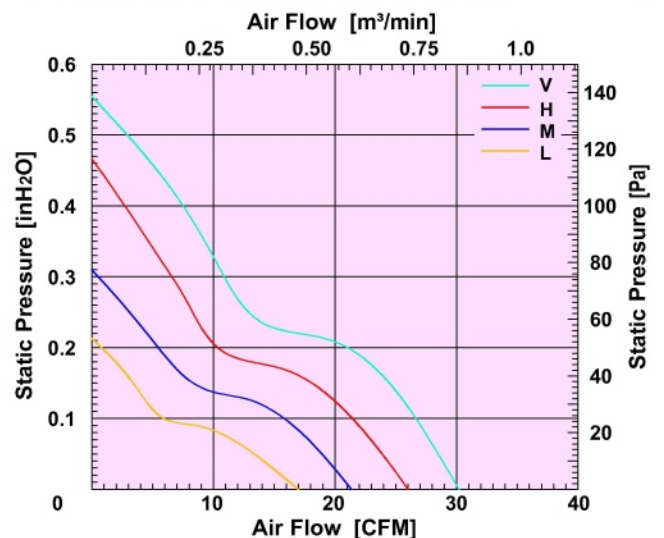
電 機: 4极无刷直流

Model (型号)	Bearing System (轴承)	Rated Voltage (电压) [VAC]	Voltage Range (电压范围) [VAC]	Freq. (频率) [Hz]	Input Power (功率) [W]	Speed (转速) [RPM]	Maximum Air Flow (风量) [CFM]	Maximum Air Flow (风量) [m³/min]	Max. Static Pressure (静压) [InH2O]	Max. Static Pressure (静压) [Pa]	Noise Level (噪音) [dB-A]	Mass (质量) [g]
M6038LE1	B/S	110	80~130	50/60	1.44	4000	17.03	0.482	0.213	53	30	100
M6038LE2	B/S	220	100~240	50/60	1.44	4000	17.03	0.482	0.213	53	30	100
M6038ME1	B/S	110	80~130	50/60	1.8	5000	21.35	0.604	0.31	77.2	34	103
M6038ME2	B/S	220	100~240	50/60	1.8	5000	21.35	0.604	0.31	77.2	34	103
M6038HE1	B/S	110	80~130	50/60	3.12	6000	26.07	0.738	0.468	116.5	38	104
M6038HE2	B/S	220	100~240	50/60	3.12	6000	26.07	0.738	0.468	116.5	38	104
M6038VE1	B/S	110	80~130	50/60	4.8	7000	30.2	0.854	0.554	138	39	104
M6038VE2	B/S	220	100~240	50/60	4.8	7000	30.2	0.854	0.554	138	39	104

Dimensions Drawing



Air Flow & Static Pressure Curve



Above specification is only for reference and subject to change without notice.

以上数据仅供参考，如有变更恕不另行通知。