

AUTO
RESTAR

PWM

FG

RD
SIGNAL H

RD
SIGNAL L

DC AXIAL FAN

□ 50 x 50 x 20 mm

M5020
Series



Impeller : 7 blades ,made of plastic PBT UL94 V-0

扇 叶: 7叶,PBT塑料制,阻燃等级UL94 V-0

Frame : Made of plastic PBT UL94 V-0

扇 框: PBT塑料制,阻燃等级UL94 V-0

Motor : 4 Poles brushless DC motor

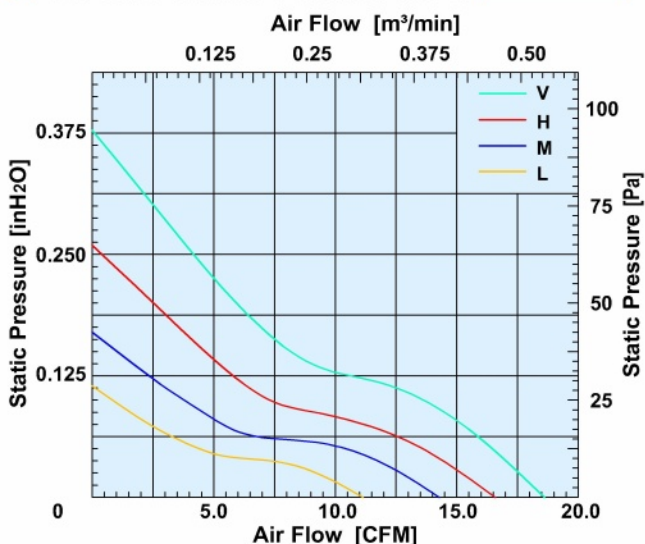
電 機: 4极无刷直流

Model (型号)	Bearing System (轴承)	Rated Voltage (电压) [V]	Voltage Range (电压范围) [V]	Current (电流) [A]	Speed (转速) [RPM]	Maximum Air Flow (风量) [CFM]	Maximum Air Flow (风量) [m³/min]	Max. Static Pressure (静压) [InH ₂ O]	Max. Static Pressure (静压) [Pa]	Niose Level (噪音) [dB-A]	Mass (质量) [g]
M5020LD0	B/S	5	3.6~6.8	0.18	4000	11.22	0.32	0.11	27.4	27	31
M5020LD1	B/S	12	6.0~13.5	0.11	4000	11.22	0.32	0.11	27.4	27	31
M5020LD2	B/S	24	18.0~26.5	0.05	4000	11.22	0.32	0.11	27.4	27	31
M5020MD0	B/S	5	3.6~6.8	0.22	4800	14.36	0.41	0.17	42.3	28.5	31
M5020MD1	B/S	12	6.0~13.5	0.14	4800	14.36	0.41	0.17	42.3	28.5	31
M5020MD2	B/S	24	18.0~26.5	0.07	4800	14.36	0.41	0.17	42.3	28.5	31
M5020HD0	B/S	5	3.6~6.8	0.40	5800	16.67	0.47	0.26	64.7	34	32
M5020HD1	B/S	12	6.0~13.5	0.22	5800	16.67	0.47	0.26	64.7	34	32
M5020HD2	B/S	24	18.0~26.5	0.11	5800	16.67	0.47	0.26	64.7	34	32
M5020VD1	B/S	12	6.0~13.5	0.28	6500	18.68	0.53	0.38	94.6	39	32
M5020VD2	B/S	24	18.0~26.5	0.18	6500	18.68	0.53	0.38	94.6	39	32

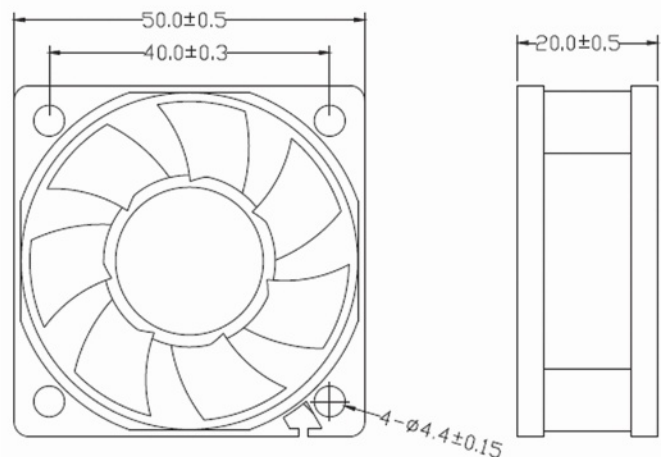
MUTUAL MOTOR

直流轴流风扇

Air Flow & Static Pressure Curve



Dimensions Drawing



Above specification is only for reference and subject to change without notice.

以上数据仅供参考, 如有变更恕不另行通知。

www.mutualmotor.com