

AUTO  
RESTAR

PWM

FG

RD  
SIGNAL H

RD  
SIGNAL L

# DC AXIAL FAN

## □ 40 x 40 x 20 mm

# M4020 Series



Impeller : 5 blades ,made of plastic PBT UL94 V-0

扇 叶: 5叶,PBT塑料制, 阻燃等级UL94 V-0

Frame : Made of plastic PBT UL94 V-0

扇 框: PBT塑料制, 阻燃等级UL94 V-0

Motor : 4 Poles brushless DC motor

電 機: 4极无刷直流

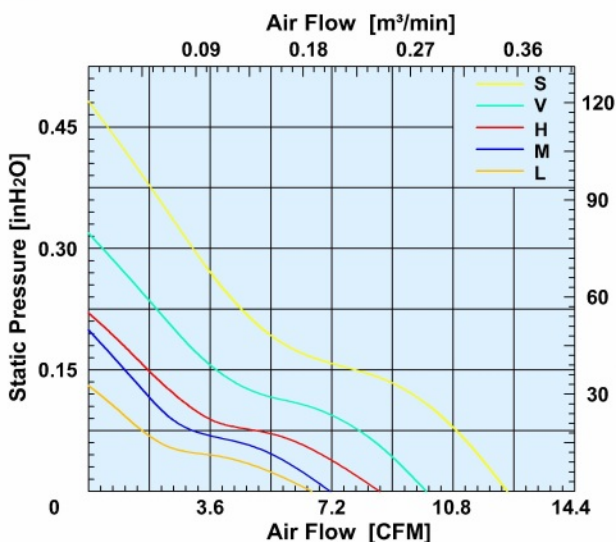
Model (型号)	Bearing System (轴承)	Rated Voltage (电压) [V]	Voltage Range (电压范围) [V]	Current (电流) [A]	Speed (转速) [RPM]	Maximum Air Flow (风量) [CFM]	Maximum Air Flow (风量) [m³/min]	Max. Static Pressure (静压) [InH <sub>2</sub> O]	Max. Static Pressure (静压) [Pa]	Niose Level (噪音) [dB-A]	Mass (质量) [g]
M4020LD0	B/S	5	3.6~6.8	0.13	5500	6.56	0.19	0.13	32.4	25.5	24
M4020LD1	B/S	12	6.0~13.5	0.08	5500	6.56	0.19	0.13	32.4	25.5	24
M4020MD0	B/S	5	3.6~6.8	0.20	6500	7.15	0.20	0.20	49.8	31.0	25
M4020MD1	B/S	12	6.0~13.5	0.11	6500	7.15	0.20	0.20	49.8	31.0	25
M4020MD2	B/S	24	18.0~26.5	0.06	6500	7.15	0.20	0.20	49.8	31.0	25
M4020HD0	B/S	5	3.6~6.8	0.28	7500	8.63	0.24	0.22	54.8	34.5	25
M4020HD1	B/S	12	6.0~13.5	0.15	7500	8.63	0.24	0.22	54.8	34.5	25
M4020HD2	B/S	24	18.0~26.5	0.08	7500	8.63	0.24	0.22	54.8	34.5	25
M4020VD1	B/S	12	6.0~13.5	0.23	8500	10.0	0.28	0.32	79.7	38.0	26
M4020VD2	B/S	24	18.0~26.5	0.10	8500	10.0	0.28	0.32	79.7	38.0	26
M4020SD1	B/S	12	6.0~13.5	0.47	12000	12.5	0.35	0.48	119.5	48.0	27
M4020SD2	B/S	24	18.0~26.5	0.23	12000	12.5	0.35	0.48	119.5	48.0	27



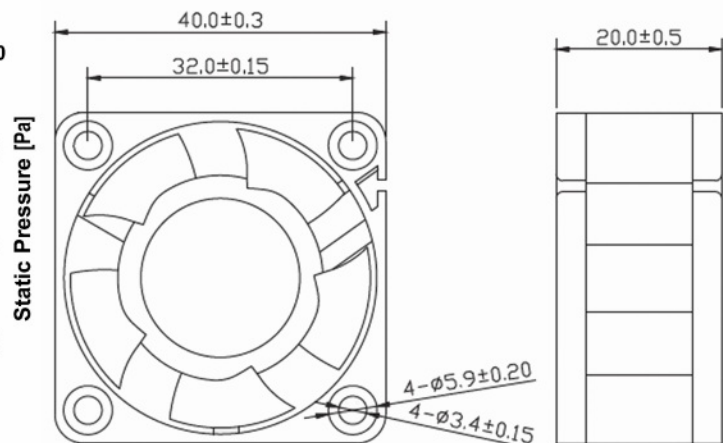
MUTUAL MOTOR

直流轴流风扇

### Air Flow & Static Pressure Curve



### Dimensions Drawing



Above specification is only for reference and subject to change without notice.

以上数据仅供参考, 如有变更恕不另行通知。

www.mutualmotor.com