

# M2507 DC AXIAL FAN Series

## □ 25 x 25 x 7 mm



Impeller : 9 blades ,made of plastic PBT UL94 V-0

扇 叶: 9叶,PBT塑料制,阻燃等级UL94 V-0

Frame : Made of plastic PBT UL94 V-0

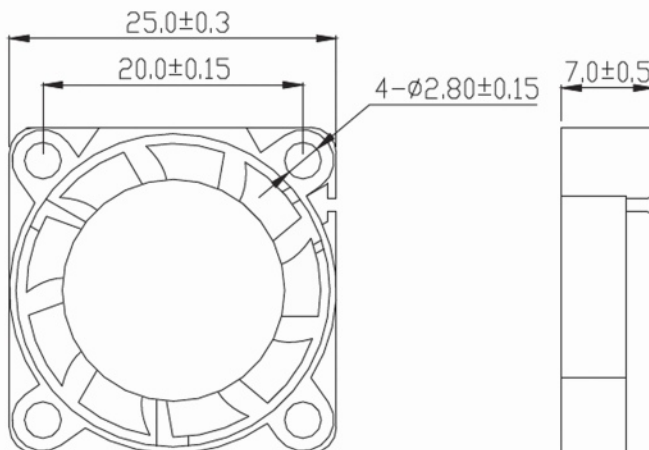
扇 框: PBT塑料制,阻燃等级UL94 V-0

Motor : 4 Poles brushless DC motor

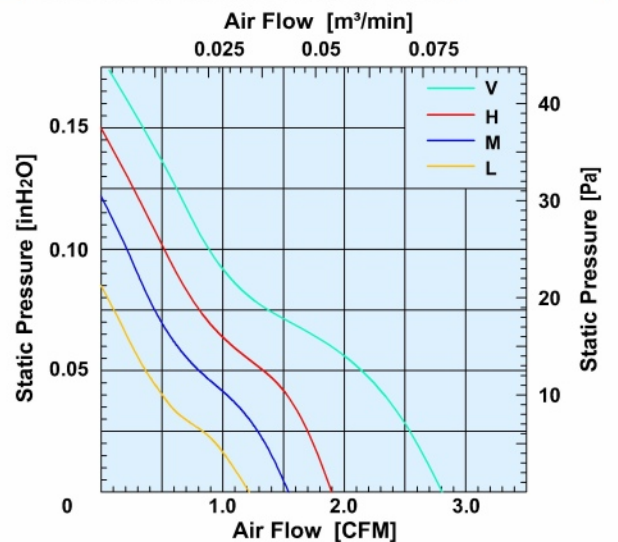
電 機: 4极无刷直流

Model (型号)	Bearing System (轴承)	Rated Voltage (电压) [V]	Voltage Range (电压范围) [V]	Current (电流) [A]	Speed (转速) [RPM]	Maximum Air Flow (风量) [CFM]	Maximum Air Flow (风量) [m³/min]	Max. Static Pressure (静压) [InH2O]	Max. Static Pressure (静压) [Pa]	Noise Level (噪音) [dB-A]	Mass (质量) [g]
M2507LD0	B/S	5	3.6~6.8	0.11	7000	1.22	0.035	0.085	21.2	19.6	5.0
M2507LD1	B/S	12	6.0~13.5	0.03	7000	1.22	0.035	0.085	21.2	19.6	5.0
M2507MD0	B/S	5	3.6~6.8	0.17	10000	1.55	0.044	0.122	30.4	23.5	5.0
M2507MD1	B/S	12	6.0~13.5	0.06	10000	1.55	0.044	0.122	30.4	23.5	5.0
M2507HD0	B/S	5	3.6~6.8	0.23	14000	1.90	0.054	0.15	37.35	26.4	5.0
M2507HD1	B/S	12	6.0~13.5	0.09	14000	1.90	0.054	0.15	37.35	26.4	5.0
M2507VD0	B/S	5	3.6~6.8	0.30	17000	2.81	0.080	0.177	44.1	31.2	5.0
M2507VD1	B/S	12	6.0~13.5	0.10	17000	2.81	0.080	0.177	44.1	31.2	5.0

### Dimensions Drawing



### Air Flow & Static Pressure Curve



Above specification is only for reference and subject to change without notice.  
以上数据仅供参考, 如有变更恕不另行通知。