

M145GD Series

AC AXIAL FAN

172x150x55mm



Impeller : 7 blades ,made of PBT resin

扇 叶: 7叶 PBT塑料

Frame : Made of die-cast Aluminum ADC-12

扇 框: 压铸铝 ADC-12

Motor : Shaded pole induction motor

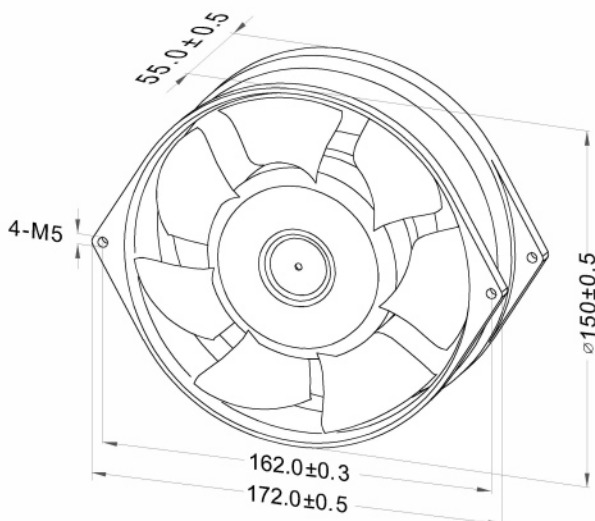
電 機: 蔽極异步電機

Motor Protection : Impedance protection

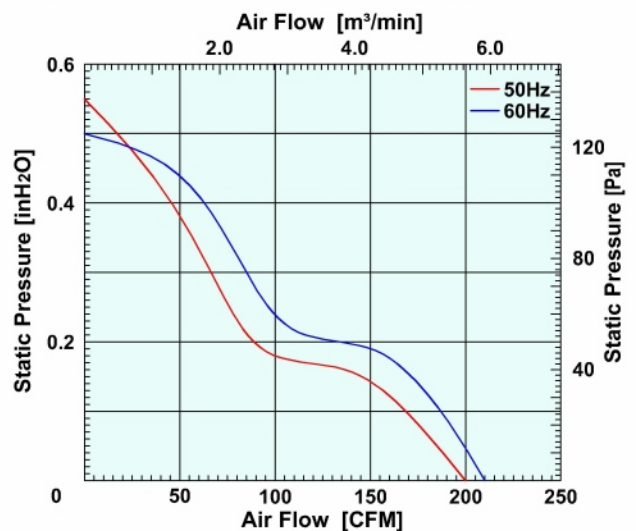
電機保护: 阻抗保护

Model (型号)	Bearing System (轴承)	Rated Voltage (电压) [V]	Freq. (频率) [Hz]	Current (电流) [A]	Input power (功率) [W]	Speed (转速) [RPM]	Maximum Air Flow (风量) [CFM]	Maximum Air Flow (风量) [m³/min]	Max. Static Pressure (静压) [InchH ₂ O]	Max. Static Pressure (静压) [Pa]	Niose Level (噪音) [dB-A]	Mass (质量) [g]
M145GDA1H	B/S	115	50/60	0.65/0.56	48/42	2550/2700	200/212	5.66/6.0	0.55/0.50	137/125	53/58	920
M145GDA2H	B/S	230	50/60	0.32/0.28	48/42	2550/2700	200/212	5.66/6.0	0.55/0.50	137/125	53/58	920
M145GDA3H	B/S	380	50/60	0.18/0.16	46/42	2550/2700	200/212	5.66/6.0	0.55/0.50	137/125	53/58	920

Dimensions Drawing



Air Flow & Static Pressure Curve



Above specification is only for reference and subject to change without notice.

以上数据仅供参考，如有变更恕不另行通知。