

# M145C Series

# AC AXIAL FAN O 172x150x51mm



Impeller : 7 blades ,made of PBT resin

扇 叶: 7叶 PBT塑料

Frame : Made of die-cast Aluminum ADC-12

扇 框: 压铸铝 ADC-12

Motor : Shaded pole induction motor

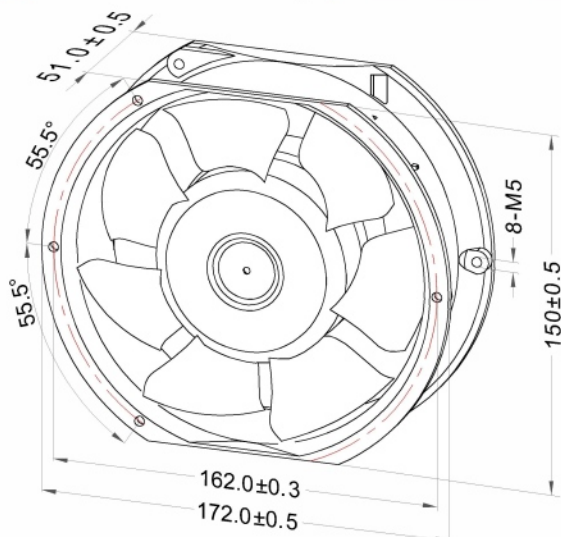
電 機: 蔽極异步電機

Motor Protection : Impedance protection

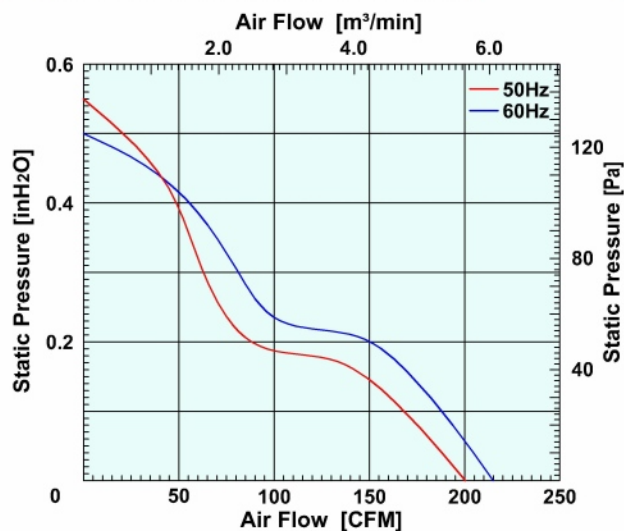
電機保护: 阻抗保护

Model (型号)	Bearing System (轴承)	Rated Voltage (电压) [V]	Freq. (频率) [Hz]	Current (电流) [A]	Input power (功率) [W]	Speed (转速) [RPM]	Maximum Air Flow (风量) [CFM]	Maximum Air Flow (风量) [m <sup>3</sup> /min]	Max. Static Pressure (静压) [InchH <sub>2</sub> O]	Max. Static Pressure (静压) [Pa]	Niose Level (噪音) [dB-A]	Mass (质量) [g]
M145CA1H	B/S	115	50/60	0.65/0.56	48/42	2500/2700	201/215	5.7/6.1	0.55/0.50	137/125	53/55	920
M145CA2H	B/S	230	50/60	0.32/0.28	48/42	2500/2700	201/215	5.7/6.1	0.55/0.50	137/125	53/55	920
M145CA3H	B/S	380	50/60	0.18/0.16	46/42	2500/2700	201/215	5.7/6.1	0.55/0.50	137/125	53/55	920

## Dimensions Drawing



## Air Flow & Static Pressure Curve



Above specification is only for reference and subject to change without notice.

以上数据仅供参考，如有变更恕不另行通知。