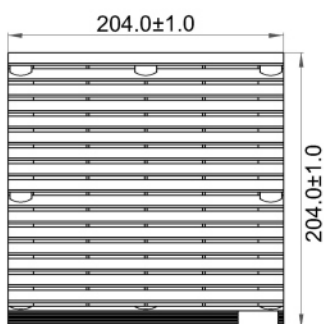
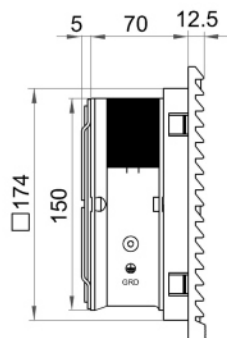


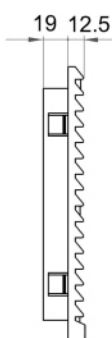
Fan Filter
風扇過濾器
M804



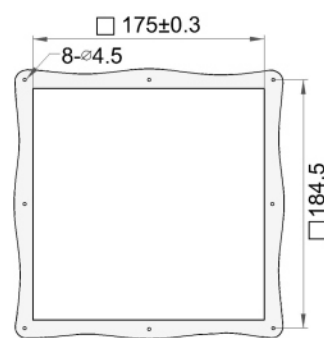
Fan & Filter
風扇及過濾器
M804.230



Outlet Filter
出口過濾器
M804.200



Mounting profile
安裝剖面
M804



| 特性 Performance | 型号 Model | M804.115 | M804.230 | M804.024 | M804.048 |
|---------------------------------------|-------------|-----------------------------------|-----------------------------------|--------------------------------|-----------|
| Axial Cooling Fan 散热风扇 | | M145CA1H | M145CA3H | M17251HD2 | M17251HD4 |
| Rated Voltage 额定电压 | | AC115V 60Hz | AC230V 50Hz | DC24V | DC48V |
| Rated Current 额定电流 | | 0.54A | 0.30A | 1.3A | 0.65A |
| Input Power 额定功率 | | 40W | 45W | 31.2W | 31.2W |
| Air Flow 风量 | | 300m³/h | | 395m³/h | |
| Max. Static Pressure 最大静压 | | 105Pa | | 120Pa | |
| Noise Level 噪音 | | | 53/55dB-A | | |
| Temp. Range 温度范围 | | | -25°C~+70°C | | |
| Dust removal rate 除尘率 | | | 86% | | |
| Filter Mat 过滤垫 | | | 150g/m² | | |
| Filter Mat Grade 过滤垫等级 (DIN EN779) | | | G2 | | |
| IP Code IP 等级 | | | IP44 | | |
| Colour 颜色 | | <input type="checkbox"/> RAL 7032 | <input type="checkbox"/> RAL 7035 | <input type="checkbox"/> Other | |

Mounting Method
安裝方法

