



CROSS FLOW FAN Naming Rules

命名規則

M 60 30 H A1 B A L

M

Company Code---MUTUAL MOTOR
公司代碼 美途電機

60

Diameter of Roller ---風輪直徑
25---∅25mm 30---∅30mm 40---∅40mm
50---∅50mm 60---∅60mm 65---∅65mm
90---∅90mm

30

Length of Roller---風輪長度
09---90mm 12---120mm
15---150mm 18---180mm
19---190mm 24---240mm
29---290mm 30---300mm
35---350mm 36---360mm
39---390mm 40---400mm
42---420mm 46---460mm
50---500mm 80---800mm

H

Speed---轉速
L---Low Speed
M---Medium Speed
H---High Speed

A1

Rated Voltage---額定電壓
A1---115VAC A2---230VAC
D1---12VDC D2---24VDC
D4---48VDC

B

Bearing---軸承
B---Ball Bearing 滾珠軸承
S---Sleeve Bearing 含油軸承

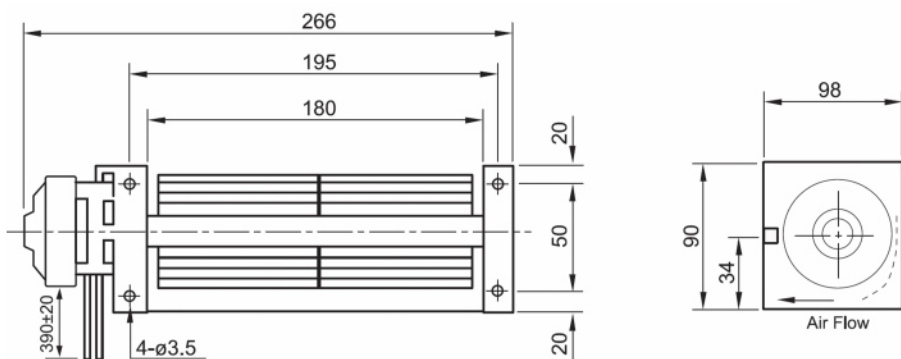
A

Type of Motor---電機類型
A---AC Motor 交流電機
D---DC Motor 直流電機
E---EC Motor 電子控制電機
(交流轉直流)

L

Connection Type---連接方式
T---Terminal Type 端子
L---Lead Wire 引線

M6017 Series AC CROSS FLOW FAN 266x100x90mm



Model (型号)	Bearing System (軸承)	Rated Voltage (电压) [V]	Freq. (频率) [Hz]	Current (电流) [A]	Input power (功率) [W]	Speed (转速) [RPM]	Maximum Air Flow (风量) [CFM]	Maximum Air Flow (风量) [m³/min]	Max. Static Pressure (静压) [InchH ₂ O]	Max. Static Pressure (静压) [Pa]	Noise Level (噪音) [dB-A]	Mass (质量) [g]
M6017HA1	Sleeve	115	50/60	0.45/0.70	27/25	2200/2000	106/89	3.0/2.5	0.24/0.22	60/55	43/42	1600
M6017HA2	Sleeve	230	50/60	0.22/0.20	27/25	2200/2000	106/89	3.0/2.5	0.24/0.22	60/55	43/42	1600