

AUTO  
RESTART

PWM

FG

RD  
SIGNAL H

RD  
SIGNAL L

# EC Centrifugal Fan Ø400 x 140 mm

## M400 Series



Impeller : Made of Aluminum

風 輪: 鋁合金

Frame : Made of die-cast Aluminum

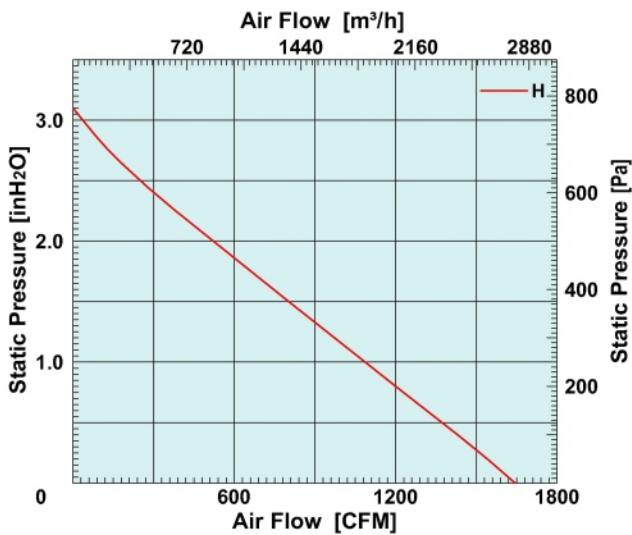
外 框: 鑄鋁合金

Motor : 8 Poles brushless DC motor

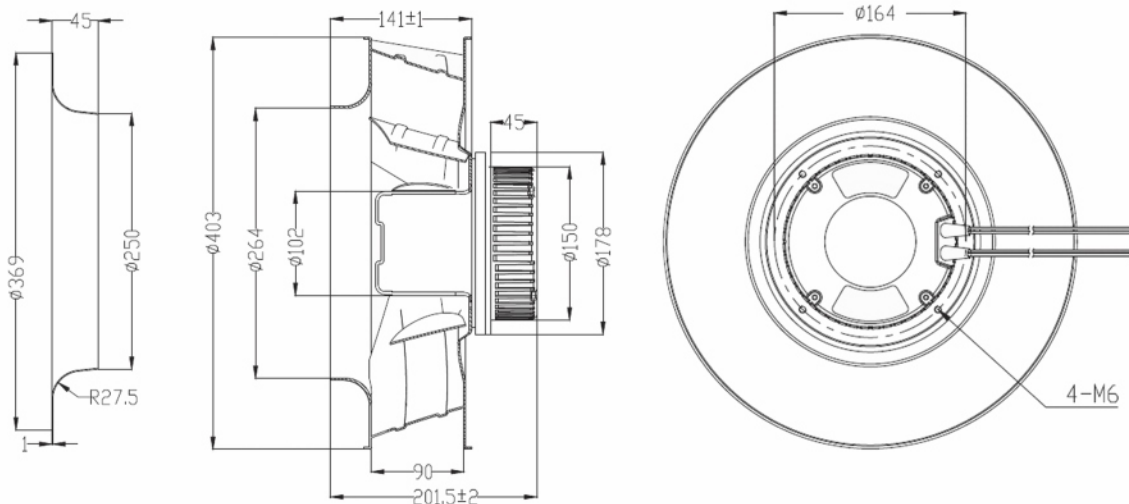
電 機: 8極無刷直流

Model (型号)	Bearing System (軸承)	Rated Voltage (电压) [VAC]	Voltage Range (电压范围) [VAC]	Freq. (频率) [Hz]	Input Power (功率) [W]	Speed (转速) [RPM]	Maximum Air Flow (风量) [CFM]	Maximum Air Flow (风量) [m³/h]	Max. Static Pressure (静压) [InH <sub>2</sub> O]	Max. Static Pressure (静压) [Pa]	Niose Level (噪音) [dB-A]	Mass (质量) [g]
M400HE2	Ball	220	100~240	50/60	380	1460	1642.8	2791.5	3.1	770.6	72	6100

### Air Flow and Static Pressure



### Dimensions Drawing



Above specification is only for reference and subject to change without notice.

以上数据仅供参考，如有变更恕不另行通知。



MUTUAL MOTOR

EC 离心風機

www.mutualmotor.com