

M355 Series

EC Centrifugal Fan Ø355 x 195 mm



Impeller : Made of Aluminum

風 輪: 鋁合金

Frame : Made of die-cast Aluminum

外 框: 壓鑄鋁合金

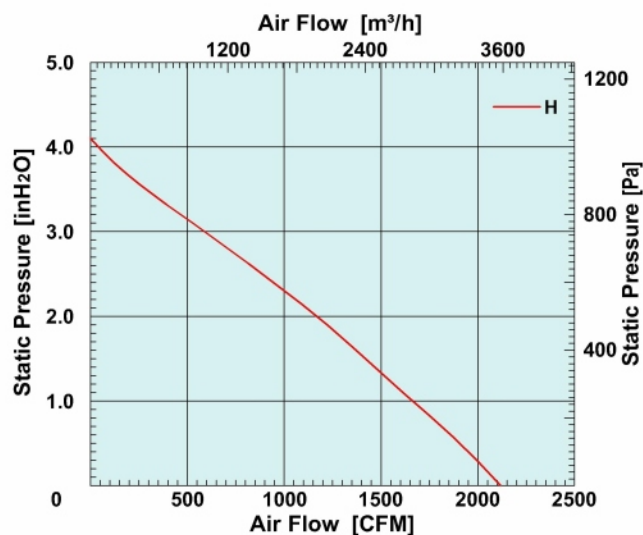
Motor : 8 Poles brushless DC motor

電 機: 8極無刷直流

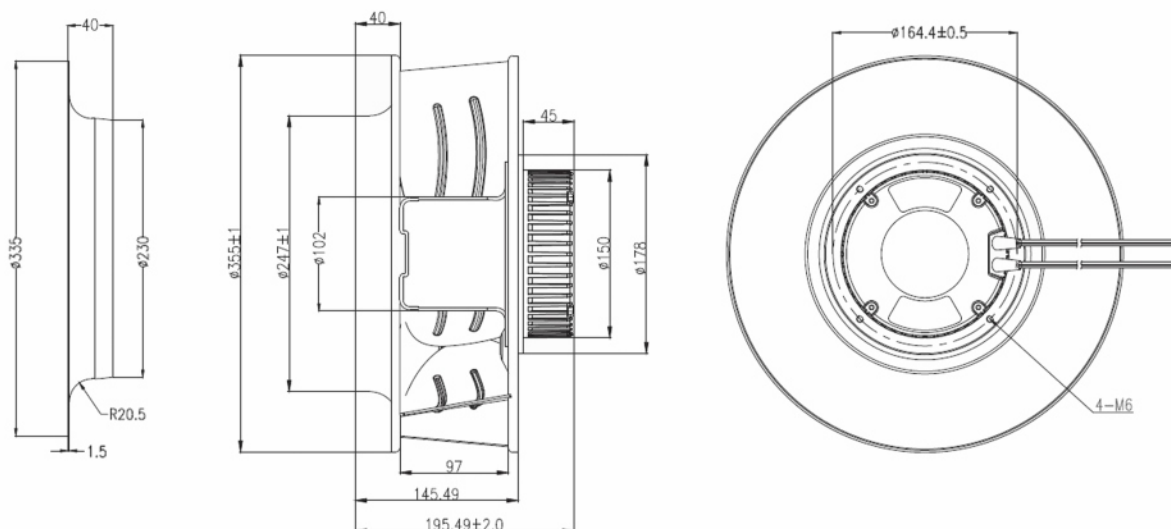


Model (型号)	Bearing System (轴承)	Rated Voltage (电压) [VAC]	Voltage Range (电压范围) [VAC]	Freq. (频率) [Hz]	Input Power (功率) [W]	Speed (转速) [RPM]	Maximum Air Flow (风量) [CFM]	Maximum Air Flow (风量) [m³/h]	Max. Static Pressure (静压) [InH2O]	Max. Static Pressure (静压) [Pa]	Noise Level (噪音) [dB-A]	Mass (质量) [g]
M355HE2	Ball	220	100~240	50/60	390	2000	2118.6	3600	4.1	1021.1	78	5700

Air Flow and Static Pressure



Dimensions Drawing



Above specification is only for reference and subject to change without notice.

以上数据仅供参考，如有变更恕不另行通知。