

AUTO  
RESTAR

PWM

FG

RD  
SIGNAL H

RD  
SIGNAL L

# EC AXIAL FAN

□ 60 x 60 x 25 mm

M6025  
Series



Impeller : 7 blades ,made of plastic PBT UL94 V-0

扇 叶: 7叶,PBT塑料制, 阻燃等级UL94 V-0

Frame : Made of plastic PBT UL94 V-0

扇 框: PBT塑料制, 阻燃等级UL94 V-0

Motor : 4 Poles brushless DC motor

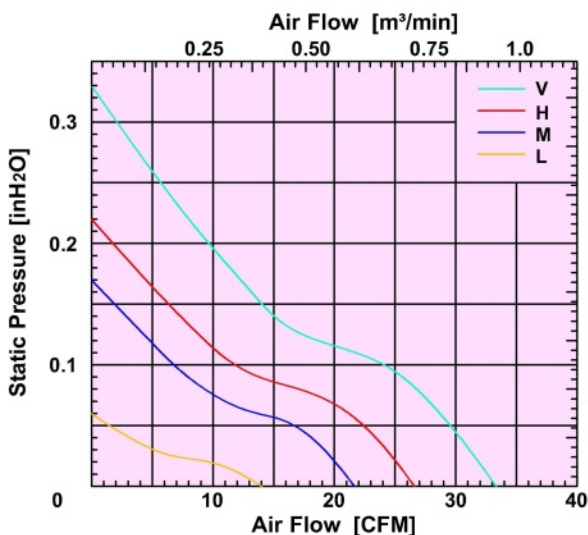
電 機: 4极无刷直流

Model (型号)	Bearing System (轴承)	Rated Voltage (电压) [VAC]	Voltage Range (电压范围) [VAC]	Freq. (频率) [Hz]	Input Power (功率) [W]	Speed (转速) [RPM]	Maximum Air Flow (风量) [CFM]	Maximum Air Flow (风量) [m³/min]	Max. Static Pressure (静压) [InH2O]	Max. Static Pressure (静压) [Pa]	Niose Level (噪音) [dB-A]	Mass (质量) [g]
M6025LE1	B/S	110	80~130	50/60	1.32	3000	14.1	0.41	0.06	15	26.5	54
M6025LE2	B/S	220	100~240	50/60	1.32	3000	14.1	0.41	0.06	15	26.5	54
M6025ME1	B/S	110	80~130	50/60	2.4	4000	21.63	0.61	0.17	42.3	33	55
M6025ME2	B/S	220	100~240	50/60	2.4	4000	21.63	0.61	0.17	42.3	33	55
M6025HE1	B/S	110	80~130	50/60	3.24	4800	26.65	0.75	0.22	54.8	36	56.5
M6025HE2	B/S	220	100~240	50/60	3.24	4800	26.65	0.75	0.22	54.8	36	63
M6025VE1	B/S	110	80~130	50/60	4.32	6000	33.26	0.94	0.33	82.2	40	63
M6025VE2	B/S	220	100~240	50/60	4.32	6000	33.26	0.94	0.33	82.2	40	63

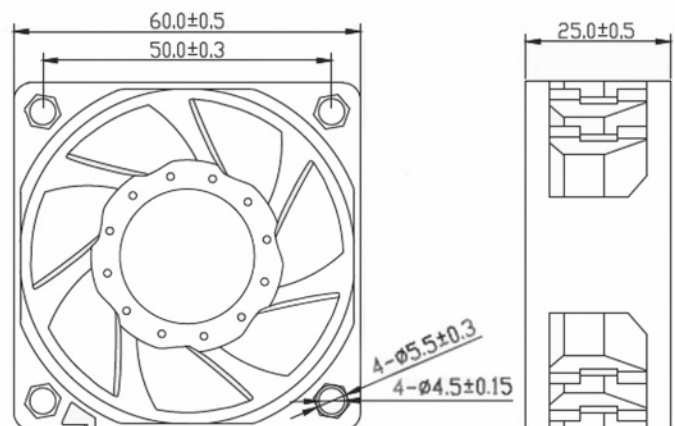
MUTUAL MOTOR

EC 軸流風扇

## Air Flow and Static Pressure



## Dimensions Drawing



Above specification is only for reference and subject to change without notice.

以上数据仅供参考, 如有变更恕不另行通知。

www.mutualmotor.com