

M230RF Series

AC AXIAL FAN

Ø254x89 mm



Impeller : 7 blades ,made of steel

扇 叶: 7叶 钢制

Frame : Made of die-cast Aluminum ADC-12

扇 框: 压铸铝 ADC-12

Motor : External rotor & capacitor-run induction motor

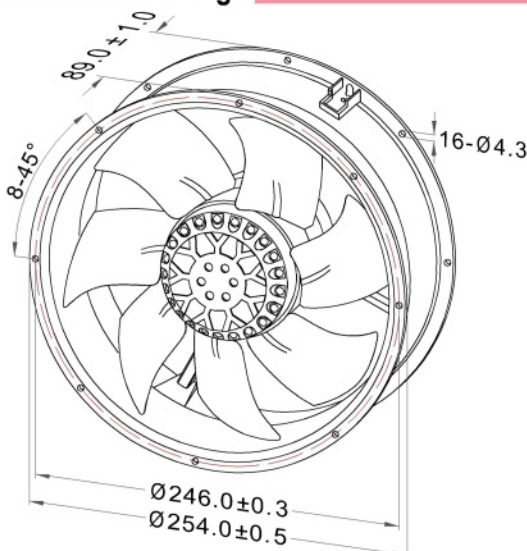
電 機: 外转子电容运转异步電機

Motor Protection : Thermal protection

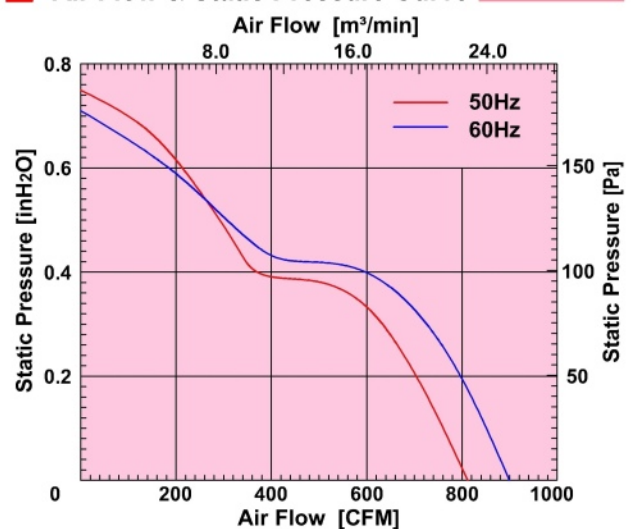
電機保护 : 热保护

Model (型号)	Bearing System (轴承)	Rated Voltage (电压) [V]	Freq. (频率) [Hz]	Current (电流) [A]	Input power (功率) [W]	Speed (转速) [RPM]	Maximum Air Flow (风量) [CFM]	Maximum Air Flow (风量) [m³/min]	Max. Static Pressure (静压) [InchH ₂ O]	Max. Static Pressure (静压) [Pa]	Noise Level (噪音) [dB-A]	Mass (质量) [g]
M230RFA1H	Ball	115	50/60	0.96/1.15	106/125	2700/3100	812/900	23.0/25.5	0.75/0.71	188/176	61/65	2600
M230RFA2H	Ball	230	50/60	0.50/0.62	106/125	2700/3100	812/900	23.0/25.5	0.75/0.71	188/176	61/65	2600
M230RFA3H	Ball	380	50/60	0.28/0.35	100/120	2700/3100	812/900	23.0/25.5	0.75/0.71	188/176	61/65	2600
M230RFA3ØH	Ball	380	50/60	0.28/0.35	100/120	2700/3100	812/900	23.0/25.5	0.75/0.71	188/176	61/65	2600

Dimensions Drawing



Air Flow & Static Pressure Curve



Above specification is only for reference and subject to change without notice.

以上数据仅供参考，如有变更恕不另行通知。