



Impeller : 7 blades ,made of steel

扇 叶: 7叶 钢制

Frame : Made of die-cast Aluminum ADC-12

扇 框: 压铸铝 ADC-12

Motor : External rotor & capacitor-run induction motor

電 機: 外转子电容运转异步 電機

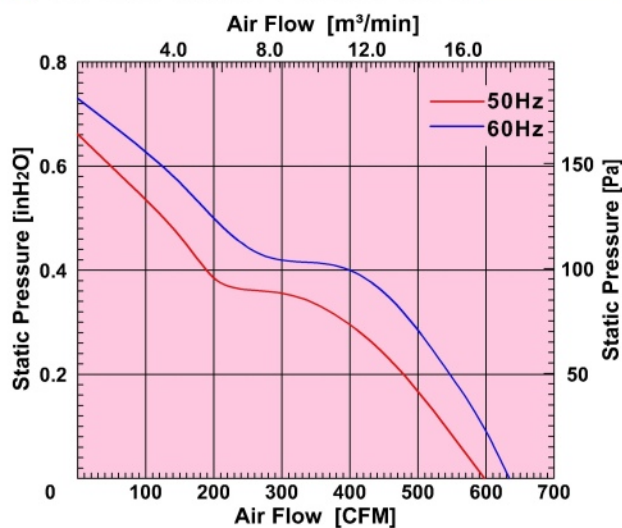
Motor Protection : Thermal protection

電機保护 : 热保护

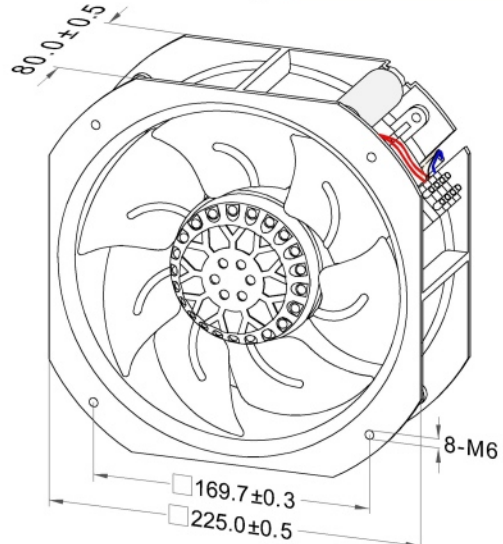
Model (型号)	Bearing System (轴承)	Rated Voltage (电压) [V]	Freq. (频率) [Hz]	Current (电流) [A]	Input power (功率) [W]	Speed (转速) [RPM]	Maximum Air Flow (风量) [CFM]	Maximum Air Flow (风量) [m³/min]	Max. Static Pressure (静压) [InchH2O]	Max. Static Pressure (静压) [Pa]	Niose Level (噪音) [dB-A]	Mass (质量) [g]
M200RA1H	Ball	115	50/60	0.68/0.65	76/72	2700/3000	597/634	17.0/18.0	0.66/0.73	165/182	59/61	2100
M200RA2H	Ball	230	50/60	0.27/0.35	62/78	2700/3000	597/634	17.0/18.0	0.66/0.73	165/182	59/61	2100
M200RA3H	Ball	380	50/60	0.21/0.19	60/70	2700/3000	597/634	17.0/18.0	0.66/0.73	165/182	59/61	2100
M200RA3ØH	Ball	380	50/60	0.21/0.19	60/70	2700/3000	597/634	17.0/18.0	0.66/0.73	165/182	59/61	2100



Air Flow & Static Pressure Curve



Dimensions Drawing



Above specification is only for reference and subject to change without notice.
 以上数据仅供参考，如有变更恕不另行通知。