



Impeller : 7 blades ,made of steel

扇 叶: 7叶 钢制

Frame : Made of die-cast Aluminum ADC-12

扇 框: 压铸铝 ADC-12

Motor : External rotor & capacitor-run induction motor

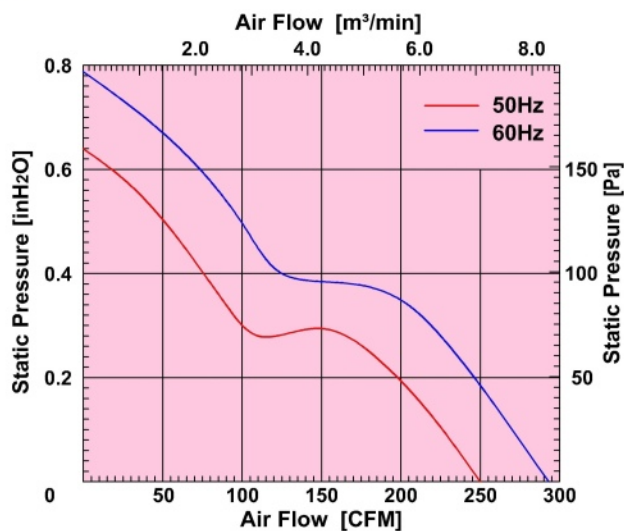
電 機: 外转子电容运转异步 電機

Motor Protection : Thermal protection

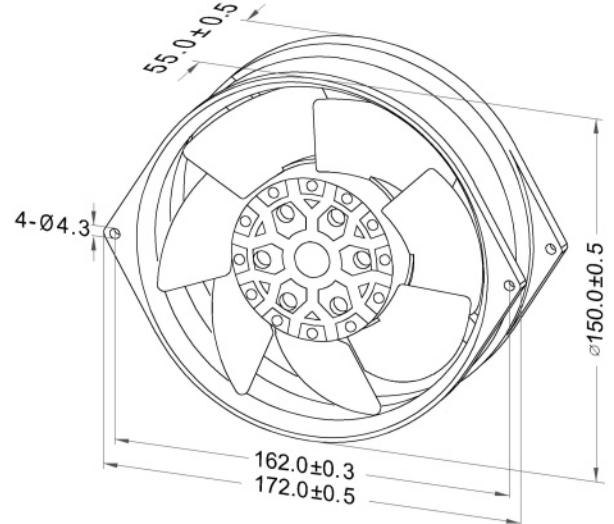
電機保护 : 热保护

Model (型号)	Bearing System (轴承)	Rated Voltage (电压) [V]	Freq. (频率) [Hz]	Current (电流) [A]	Input power (功率) [W]	Speed (转速) [RPM]	Maximum Air Flow (风量) [CFM]	Maximum Air Flow (风量) [m³/min]	Max. Static Pressure (静压) [InchH ₂ O]	Max. Static Pressure (静压) [Pa]	Niose Level (噪音) [dB-A]	Mass (质量) [g]
M145GDA1H	Ball	115	50/60	0.35/0.40	45/48	2850/3300	250/293	7.0/8.3	0.64/0.787	159/196	55/60	1200
M145GDA2H	Ball	230	50/60	0.18/0.21	45/48	2850/3300	250/293	7.0/8.3	0.64/0.787	159/196	55/60	1200

Air Flow & Static Pressure Curve



Dimensions Drawing



Above specification is only for reference and subject to change without notice.
以上数据仅供参考，如有变更恕不另行通知。