

# M175 Series

## DC Centrifugal Fan Ø175 x 70 mm



Impeller : Made of plastic ABS UL94 V-0

風 輪: ABS塑料制, 阻燃等级UL94 V-0

Frame : Made of die-cast Aluminum

外 框: 压铸铝合金

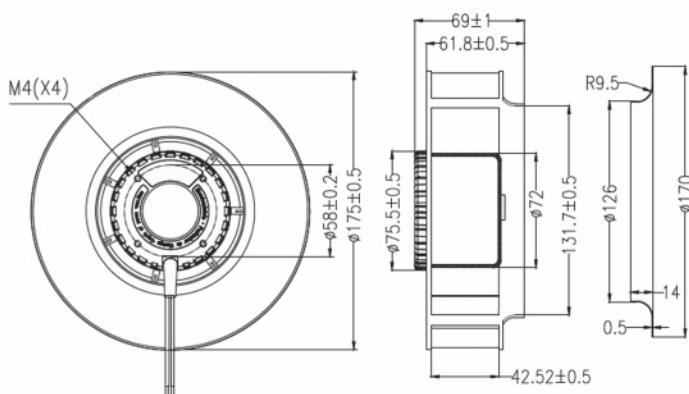
Motor : 8 Poles brushless DC motor

電 機: 8极无刷直流

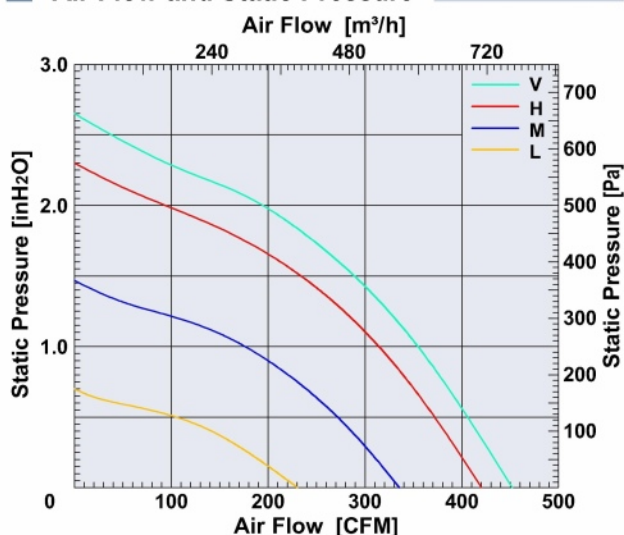


Model (型号)	Bearing System (轴承)	Rated Voltage (电压) [V]	Voltage Range (电压范围) [V]	Current (电流) [A]	Speed (转速) [RPM]	Maximum Air Flow (风量) [CFM]	Maximum Air Flow (风量) [m³/h]	Max. Static Pressure (静压) [InH2O]	Max. Static Pressure (静压) [Pa]	Niose Level (噪音) [dB-A]	Mass (质量) [g]
M175LD2	Ball	24	18.0~26.5	1.0	2200	231.5	393.7	0.70	173	37.5	1300
M175MD2	Ball	24	18.0~26.5	2.1	3100	336.8	572.7	1.47	366	53.8	1300
M175HD2	Ball	24	18.0~26.5	4.6	4000	420.9	715.9	2.30	572	68.2	1300
M175LD4	Ball	48	36.0~54.0	0.4	2200	231.5	393.7	0.70	173	37.5	1300
M175MD4	Ball	48	36.0~54.0	1.1	3200	336.8	572.7	1.47	366	53.8	1300
M175HD4	Ball	48	36.0~54.0	2.6	4300	452.5	769.6	2.65	660.8	73.3	1300

### Dimensions Drawing



### Air Flow and Static Pressure



Above specification is only for reference and subject to change without notice.

以上数据仅供参考, 如有变更恕不另行通知。