

M355 Series

DC Centrifugal Fan Ø355 x 170 mm

AUTO
RESTAR

PWM

FG

RD
SIGNAL H

RD
SIGNAL L



Impeller : Made of Aluminum

風 輪: 鋁合金

Frame : Made of die-cast Aluminum

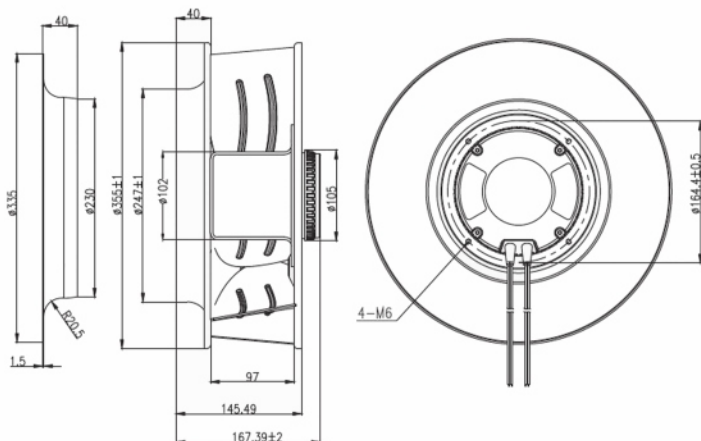
外 框: 壓鑄鋁合金

Motor : 8 Poles brushless DC motor

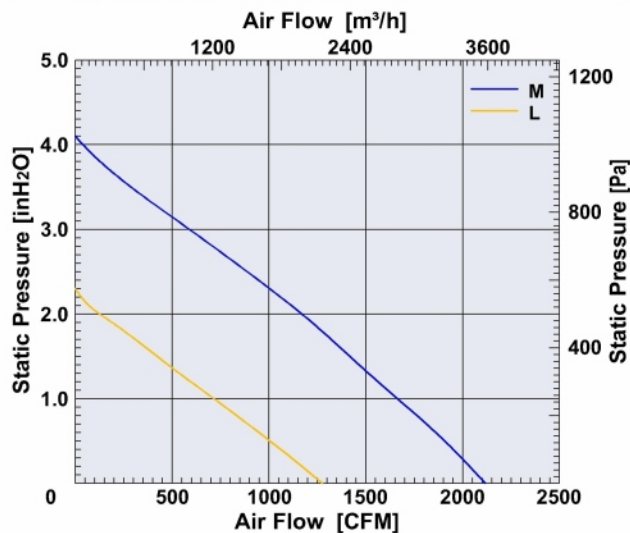
電 機: 8極無刷直流

Model (型号)	Bearing System (軸承)	Rated Voltage (电压) [V]	Voltage Range (电压范围) [V]	Current (电流) [A]	Speed (转速) [RPM]	Maximum Air Flow (风量) [CFM]	Maximum Air Flow (风量) [m³/h]	Max. Static Pressure (静压) [InH₂O]	Max. Static Pressure (静压) [Pa]	Niose Level (噪音) [dB-A]	Mass (质量) [g]
M355MD4	Ball	48	36.0~54.0	5.5	1500	1275.9	2169.0	2.3	574.3	63.8	4000
M355HD4	Ball	48	36.0~54.0	7.3	2000	2118.6	3601.6	4.1	1020.1	78	4000

Dimensions Drawing



Air Flow and Static Pressure



Above specification is only for reference and subject to change without notice.

以上数据仅供参考，如有变更恕不另行通知。