

AUTO
RESTART

PWM

FG

RD
SIGNAL H

RD
SIGNAL L

DC Centrifugal Fan Ø310 x 161 mm

M310 Series



Impeller : Made of Aluminum

風 輪: 鋁合金

Frame : Made of die-cast Aluminum

外 框: 壓鑄鋁合金

Motor : 8 Poles brushless DC motor

電 機: 8極無刷直流

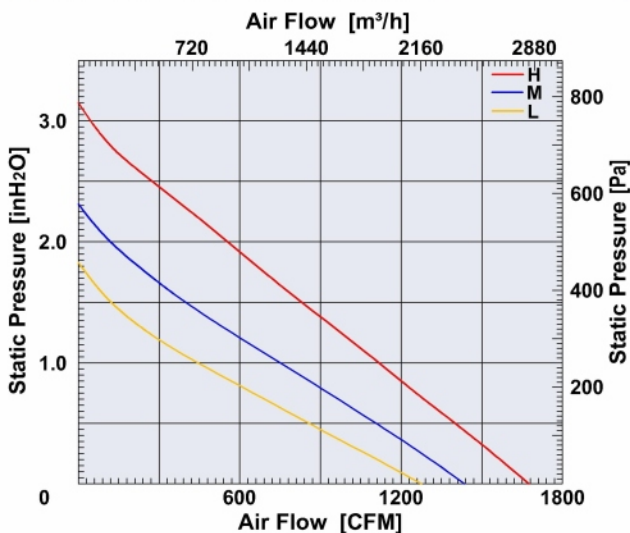
Model (型号)	Bearing System (轴承)	Rated Voltage (电压) [V]	Voltage Range (电压范围) [V]	Current (电流) [A]	Speed (转速) [RPM]	Maximum Air Flow (风量) [CFM]	Maximum Air Flow (风量) [m³/h]	Max. Static Pressure (静压) [InH ₂ O]	Max. Static Pressure (静压) [Pa]	Niose Level (噪音) [dB-A]	Mass (质量) [g]
M310LD4	Ball	48	36.0~54.0	4.5	1600	1276	2169.2	1.83	455.2	69.7	3000
M310MD4	Ball	48	36.0~54.0	5.2	1800	1435	2439.5	2.31	576.2	72.2	3000
M310HD4	Ball	48	36.0~54.0	8.8	2100	1675	2847.5	3.15	784.2	75.6	3000

MUTUAL MOTOR

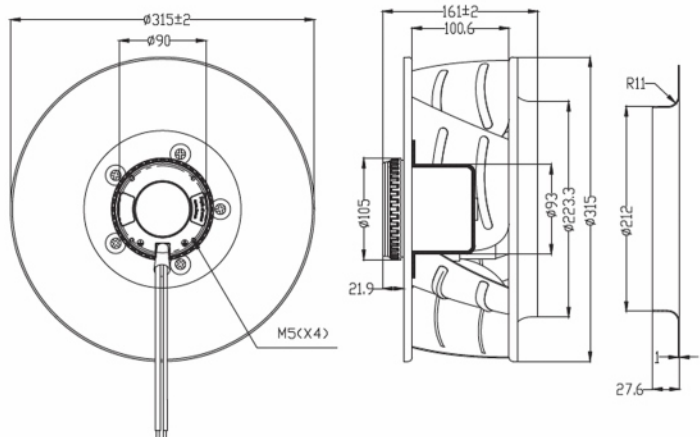
直流离心風機

www.mutualmotor.com

Air Flow and Static Pressure



Dimensions Drawing



Above specification is only for reference and subject to change without notice.
以上数据仅供参考，如有变更恕不另行通知。