

# M220 Series

# DC Centrifugal Fan Ø220 x 76 mm



Impeller : Made of plastic ABS UL94 V-0

風 輪: ABS塑料制, 阻燃等级UL94 V-0

Frame : Made of die-cast Aluminum

外 框: 压铸铝合金

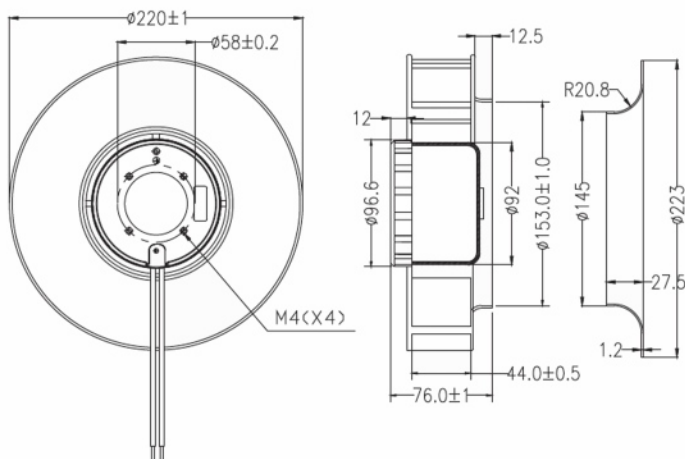
Motor : 8 Poles brushless DC motor

電 機: 8极无刷直流

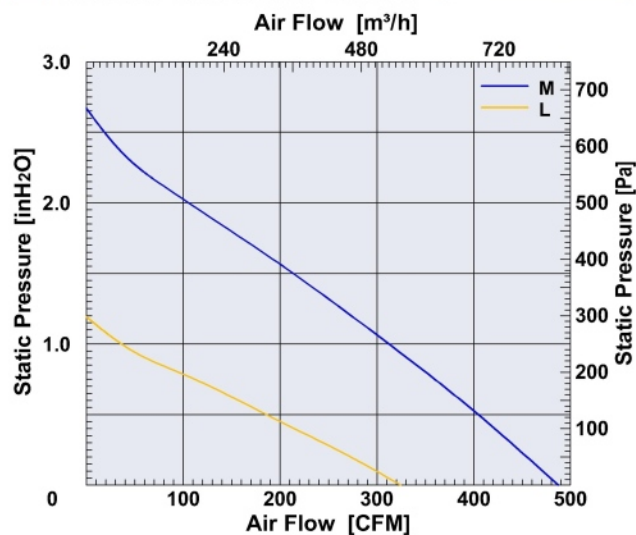


Model (型号)	Bearing System (轴承)	Rated Voltage (电压) [V]	Voltage Range (电压范围) [V]	Current (电流) [A]	Speed (转速) [RPM]	Maximum Air Flow (风量) [CFM]	Maximum Air Flow (风量) [m³/h]	Max. Static Pressure (静压) [InH <sub>2</sub> O]	Max. Static Pressure (静压) [Pa]	Niose Level (噪音) [dB-A]	Mass (质量) [g]
M220LD2	Ball	24	18.0~26.5	2.85	2000	324.8	552.3	1.19	295.4	58.9	1450
M220MD2	Ball	24	18.0~26.5	3.8	3000	487.1	828.5	2.67	664.7	65.2	1450
M220LD4	Ball	48	36.0~54.0	1.2	2000	324.8	552.3	1.19	295.4	58.9	1450
M220MD4	Ball	48	36.0~54.0	1.6	3000	487.1	828.5	2.67	664.7	65.2	1450

## Dimensions Drawing



## Air Flow and Static Pressure



Above specification is only for reference and subject to change without notice.

以上数据仅供参考, 如有变更恕不另行通知。