

AUTO
RESTART

PWM

FG

RD
SIGNAL H

RD
SIGNAL L

DC Centrifugal Fan Ø190 x 67 mm

M190 Series



Impeller : Made of plastic ABS UL94 V-0

風 輪: ABS塑料制, 阻燃等级UL94 V-0

Frame : Made of die-cast Aluminum

外 框: 压铸铝合金

Motor : 8 Poles brushless DC motor

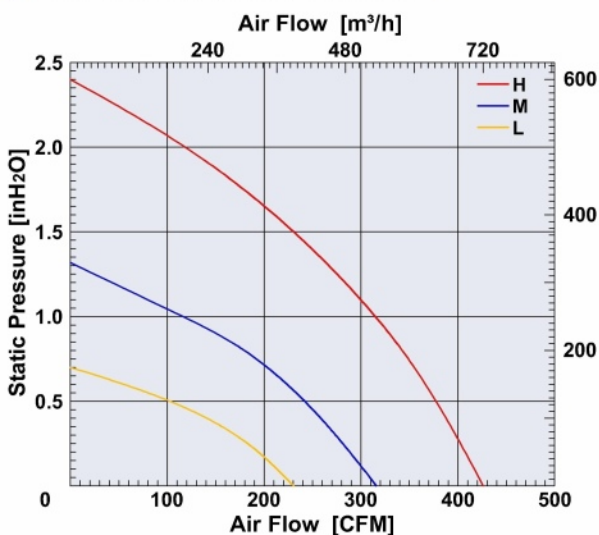
電 機: 8极无刷直流

Model (型号)	Bearing System (轴承)	Rated Voltage (电压) [V]	Voltage Range (电压范围) [V]	Current (电流) [A]	Speed (转速) [RPM]	Maximum Air Flow (风量) [CFM]	Maximum Air Flow (风量) [m³/h]	Max. Static Pressure (静压) [inH ₂ O]	Max. Static Pressure (静压) [Pa]	Niose Level (噪音) [dB-A]	Mass (质量) [g]
M190LD2	Ball	24	18.0~26.5	1.0	1900	231.2	393.2	0.70	175.5	62.0	1300
M190MD2	Ball	24	18.0~26.5	2.1	2600	317.8	540	1.32	329.0	68.8	1300
M190HD2	Ball	24	18.0~26.5	4.7	3500	426.1	724.4	2.40	596.0	75.2	1300
M190LD4	Ball	48	36.0~54.0	0.6	1900	231.2	393.2	0.70	175.5	62.0	1300
M190MD4	Ball	48	36.0~54.0	1.0	2600	317.8	540	1.32	329.0	68.8	1300
M190HD4	Ball	48	36.0~54.0	2.5	3500	426.1	724.4	2.40	596.0	75.2	1300

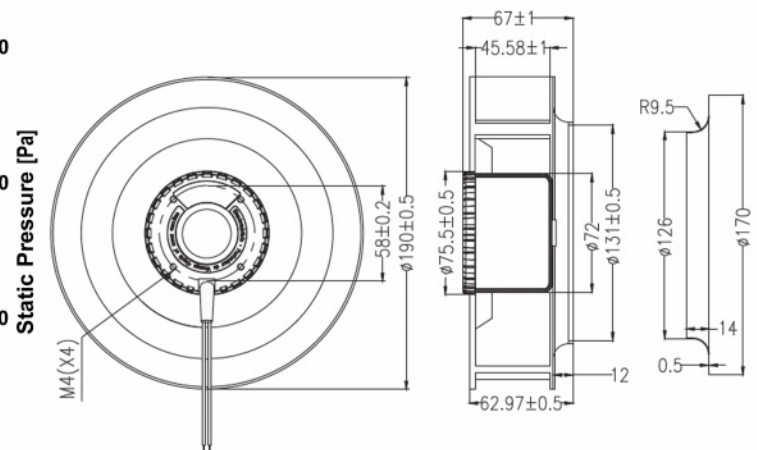
MUTUAL MOTOR

直流离心风机

Air Flow and Static Pressure



Dimensions Drawing



Above specification is only for reference and subject to change without notice.
以上数据仅供参考, 如有变更恕不另行通知。

www.mutualmotor.com