

M120 Series

DC Centrifugal Fan Ø120 x 25 mm



Impeller : Made of plastic PBT UL94 V-0

風 輪: PBT塑料制, 阻燃等级UL94 V-0

Frame : Made of plastic PBT UL94 V-0

外 框: PBT塑料制, 阻燃等级UL94 V-0

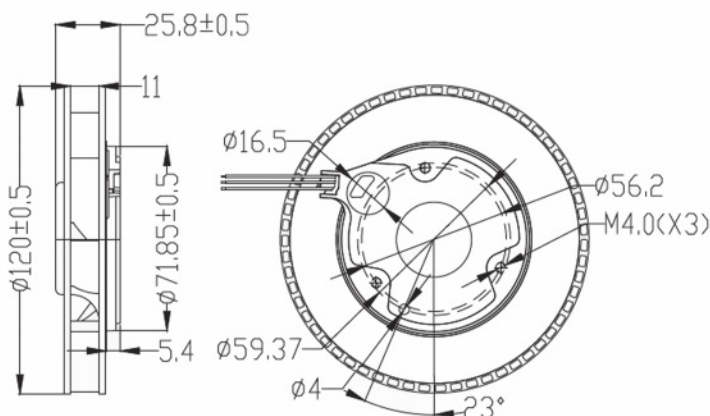
Motor : 6 Poles brushless DC motor

電 機: 6极无刷直流

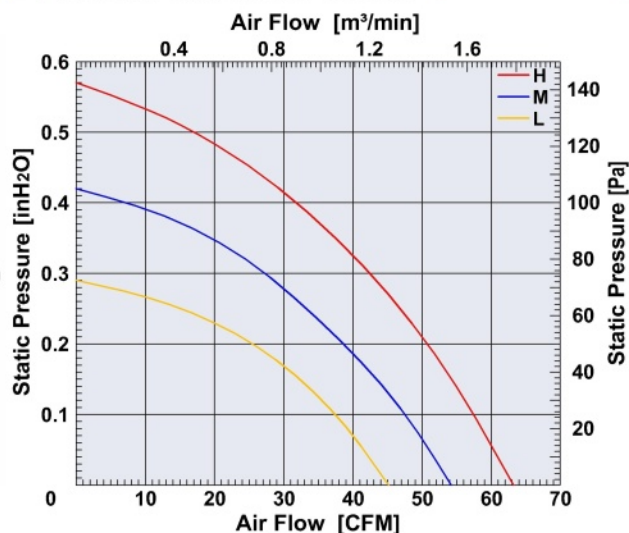


Model (型号)	Bearing System (轴承)	Rated Voltage (电压) [V]	Voltage Range (电压范围) [V]	Current (电流) [A]	Speed (转速) [RPM]	Maximum Air Flow (风量) [CFM]	Maximum Air Flow (风量) [m³/min]	Max. Static Pressure (静压) [InH2O]	Max. Static Pressure (静压) [Pa]	Noise Level (噪音) [dB-A]	Mass (质量) [g]
M120LD1	Ball	12	6.0~13.5	0.55	2500	45.2	1.28	0.29	72.7	48.2	156
M120LD2	Ball	24	18.0~26.5	0.27	2500	45.2	1.28	0.29	72.7	48.2	156
M120LD2	Ball	48	36.0~54.0	0.13	2500	45.2	1.28	0.29	72.7	48.2	156
M120MD1	Ball	12	6.0~13.5	0.62	3000	54.2	1.53	0.42	104.7	52.0	159
M120MD2	Ball	24	18.0~26.5	0.33	3000	54.2	1.53	0.42	104.7	52.0	159
M120MD4	Ball	48	36.0~54.0	0.16	3000	54.2	1.53	0.42	104.7	52.0	159
M120HD1	Ball	12	6.0~13.5	1.0	3500	63.2	1.79	0.57	142.6	55.3	161
M120HD2	Ball	24	18.0~26.5	0.48	3500	63.2	1.79	0.57	142.6	55.3	161
M120HD4	Ball	48	36.0~54.0	0.23	3500	63.2	1.79	0.57	142.6	55.3	161

Dimensions Drawing



Air Flow and Static Pressure



Above specification is only for reference and subject to change without notice.

以上数据仅供参考，如有变更恕不另行通知。