

AUTO
RESTART

PWM

FG

RD
SIGNAL H

RD
SIGNAL L

DC Centrifugal Fan Ø110 x 25 mm

M110 Series



Impeller : Made of plastic PBT UL94 V-0

風 輪: PBT塑料制, 阻燃等级UL94 V-0

Frame : Made of plastic PBT UL94 V-0

外 框: PBT塑料制, 阻燃等级UL94 V-0

Motor : 6 Poles brushless DC motor

電 機: 6极无刷直流

Model (型号)	Bearing System (轴承)	Rated Voltage (电压) [V]	Voltage Range (电压范围) [V]	Current (电流) [A]	Speed (转速) [RPM]	Maximum Air Flow (风量) [CFM]	Maximum Air Flow (风量) [m³/min]	Max. Static Pressure (静压) [InH ₂ O]	Max. Static Pressure (静压) [Pa]	Niose Level (噪音) [dB-A]	Mass (质量) [g]
M110LD1	Ball	12	6.0~13.5	0.35	2500	45.0	1.27	0.355	88.4	45.7	135
M110LD2	Ball	24	18.0~26.5	0.18	2500	45.0	1.27	0.355	88.4	45.7	135
M110MD1	Ball	12	6.0~13.5	0.46	3000	53.94	1.53	0.512	127.5	49.7	138
M110MD2	Ball	24	18.0~26.5	0.22	3000	53.94	1.53	0.512	127.5	49.7	138
M110HD1	Ball	12	6.0~13.5	0.58	3500	62.93	1.78	0.70	173.5	53.0	140
M110HD2	Ball	24	18.0~26.5	0.27	3500	62.93	1.78	0.70	173.5	53.0	140
M110VD1	Ball	12	6.0~13.5	0.68	4000	71.92	2.04	0.91	226.5	55.9	141
M110VD2	Ball	24	18.0~26.5	0.33	4000	71.92	2.04	0.91	226.5	55.9	141

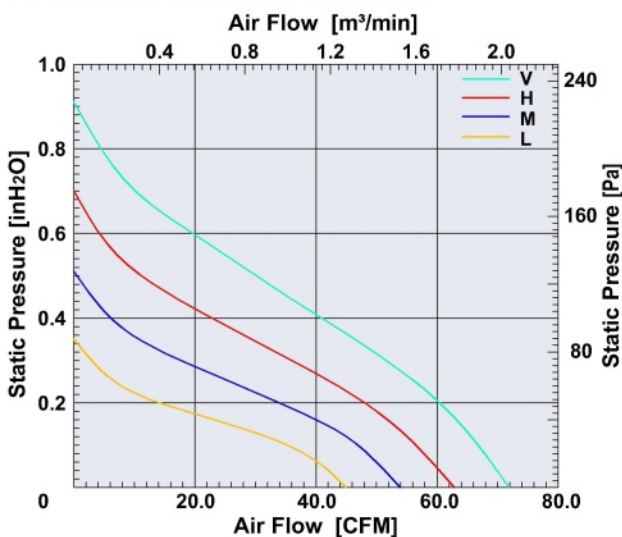


MUTUAL MOTOR

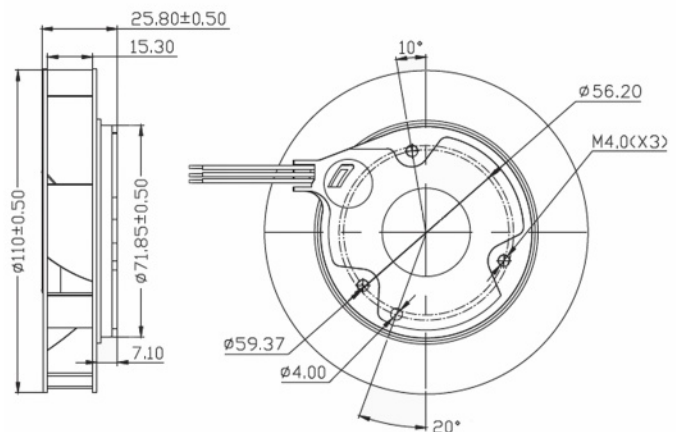
直流离心风机

www.mutualmotor.com

Air Flow and Static Pressure



Dimensions Drawing



Above specification is only for reference and subject to change without notice.
以上数据仅供参考, 如有变更恕不另行通知。