

# M100 Series

## DC Centrifugal Fan Ø100 x 25 mm



Impeller : Made of plastic PBT UL94 V-0

風 輪: PBT塑料制, 阻燃等级UL94 V-0

Frame : Made of plastic PBT UL94 V-0

外 框: PBT塑料制, 阻燃等级UL94 V-0

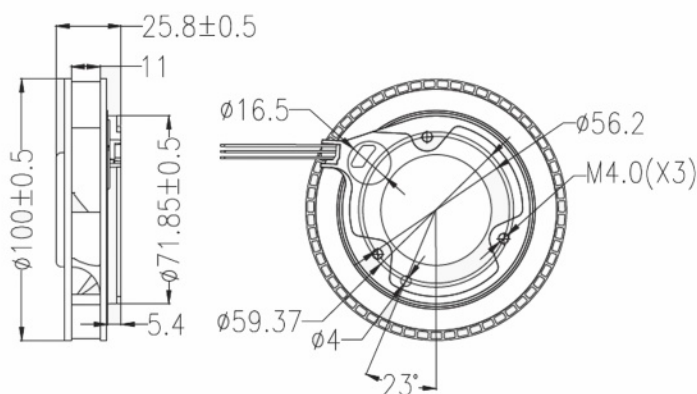
Motor : 6 Poles brushless DC motor

電 機: 6极无刷直流

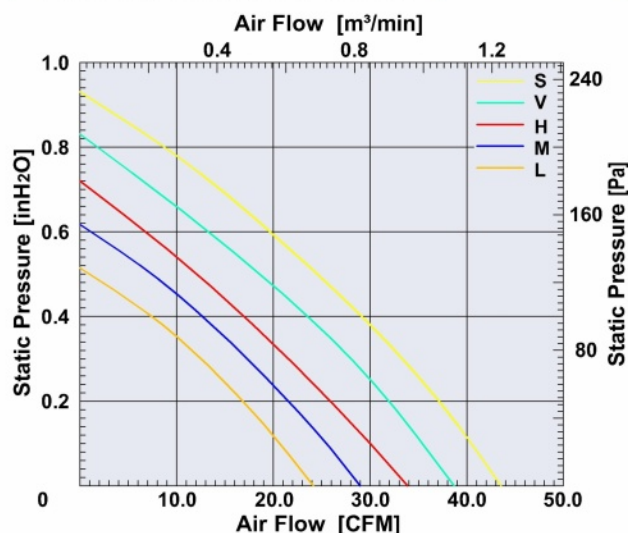


Model (型号)	Bearing System (轴承)	Rated Voltage (电压) [V]	Voltage Range (电压范围) [V]	Current (电流) [A]	Speed (转速) [RPM]	Maximum Air Flow (风量) [CFM]	Maximum Air Flow (风量) [m³/min]	Max. Static Pressure (静压) [InH <sub>2</sub> O]	Max. Static Pressure (静压) [Pa]	Noise Level (噪音) [dB-A]	Mass (质量) [g]
M100LD1	Ball	12	6.0~13.5	0.29	2500	24.18	0.68	0.518	129	31.0	116
M100LD2	Ball	24	18.0~26.5	0.15	2500	24.18	0.68	0.518	129	31.0	116
M100MD1	Ball	12	6.0~13.5	0.35	3000	29.02	0.82	0.62	154.8	37.0	117
M100MD2	Ball	24	18.0~26.5	0.18	3000	29.02	0.82	0.62	154.8	37.0	117
M100HD1	Ball	12	6.0~13.5	0.41	3500	33.85	0.96	0.725	180.6	43.5	120
M100HD2	Ball	24	18.0~26.5	0.21	3500	33.85	0.96	0.725	180.6	43.5	120
M100VD1	Ball	12	6.0~13.5	0.47	4000	38.68	1.10	0.83	206.5	49.7	120
M100VD2	Ball	24	18.0~26.5	0.24	4000	38.68	1.10	0.83	206.5	49.7	120
M100SD1	Ball	12	6.0~13.5	0.53	4500	43.52	1.23	0.93	232.2	56.0	122
M100SD2	Ball	24	18.0~26.5	0.27	4500	43.52	1.23	0.93	232.2	56.0	122

### Dimensions Drawing



### Air Flow and Static Pressure



Above specification is only for reference and subject to change without notice.

以上数据仅供参考, 如有变更恕不另行通知。