

定制品

AC Centrifugal Fan 交流前倾式离心风机

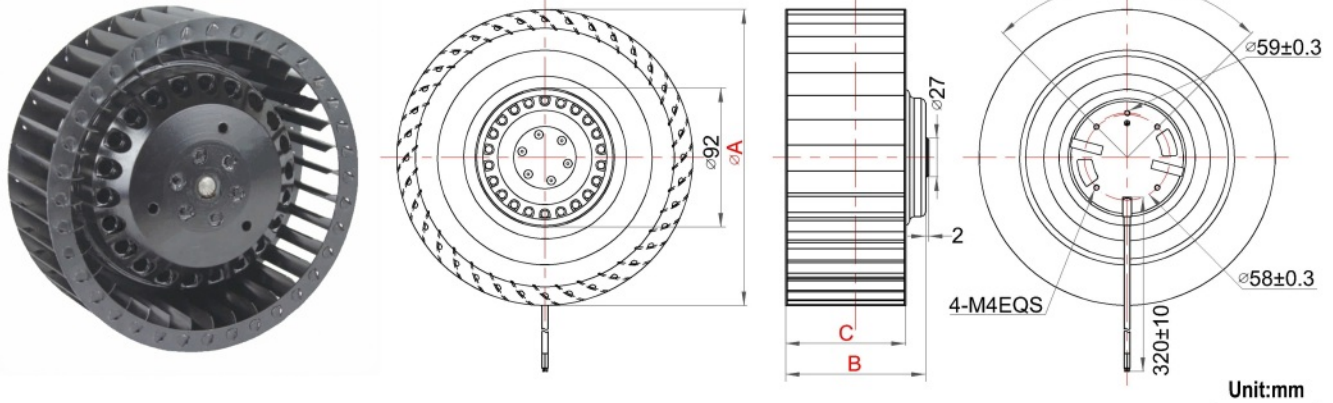
ALL
Series



MUTUAL MOTOR

交流离心风机

www.mutualmotor.com



Unit:mm

Blade : Made of Aluminum

風輪: 铝

Frame : Made of Die-cast Aluminum

外框: 压铸铝

Motor : External rotor & Capacitor-run induction motor

電機: 外转子电容运转异步電機

型号	尺寸	A	B	C
M120		120	85	64
M133		133	72	50
M140		140	74	61
M150		150	98	72
M160		160	74	61
M180		180	123	90
M200		200	95	81

Model (型号)	Bearing System (轴承)	Rated Voltage (电压) [V]	Freq. (频率) [Hz]	Current (电流) [A]	Input power (功率) [W]	Speed (转速) [RPM]	Maximum Air Flow (风量) [CFM]	Maximum Air Flow (风量) [m³/h]	Max. Static Pressure (静压) [InchH ₂ O]	Max. Static Pressure (静压) [Pa]	Niose Level (噪音) [dB-A]	Mass (质量) [g]
M120HA1	Ball	115	60	0.70	80	3000	165	280	1.687	420	55	1200
M120HA2	Ball	230	50	0.22	50	2600	153	260	1.406	350	51	1200
M120HA3Ø	Ball	380	50	0.14	50	2600	153	260	1.406	350	51	1200
M133HA1	Ball	115	60	1.0	98	3200	177	300	1.928	480	67	1500
M133HA2	Ball	230	50	0.35	78	2800	141	240	1.606	400	55	1500
M133HA3Ø	Ball	380	50	0.20	58	2800	141	240	1.606	400	55	1500
M140HA1	Ball	115	60	0.85	86	2800	277	471	2.209	550	61	2200
M140HA2	Ball	230	50	0.40	75	2600	271	461	1.606	400	59	2200
M150HA1	Ball	115	60	1.50	150	2900	283	480	1.928	480	63	2450
M150HA2	Ball	230	50	0.60	120	2600	283	480	1.807	450	60	2450
M160HA1	Ball	115	60	1.60	170	2900	380	646	2.53	630	70	2200
M160HA2	Ball	230	50	0.70	150	2600	365	620	2.41	600	68	2200
M180MA1	Ball	115	60	1.50	110	1650	471	800	1.285	320	61	3200
M180MA2	Ball	230	50	0.55	90	1450	430	730	1.044	260	57	3200
M180MA3Ø	Ball	380	50	0.26	70	1450	430	730	1.044	260	57	3200
M200MA1	Ball	115	60	0.90	110	1400	719	1220	1.124	280	53	3200
M200MA2	Ball	230	50	0.50	110	1400	719	1220	1.124	280	53	3200
M200MA3Ø	Ball	380	50	0.26	70	1400	719	1220	1.124	280	53	3200

Above specification is only for reference and subject to change without notice.

以上数据仅供参考，如有变更恕不另行通知。