

# M6025 Series

# DC BLOWER 60 x 60 x 25 mm



Impeller : Made of plastic PBT UL94 V-0

風 輪: PBT塑料制, 阻燃等级UL94 V-0

Frame : Made of plastic PBT UL94 V-0

扇 框: PBT塑料制, 阻燃等级UL94 V-0

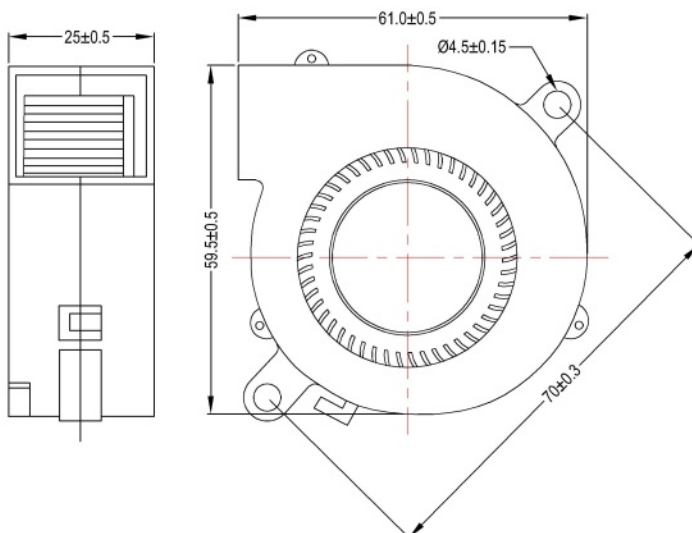
Motor : 4 Poles brushless DC motor

電 機: 4极无刷直流

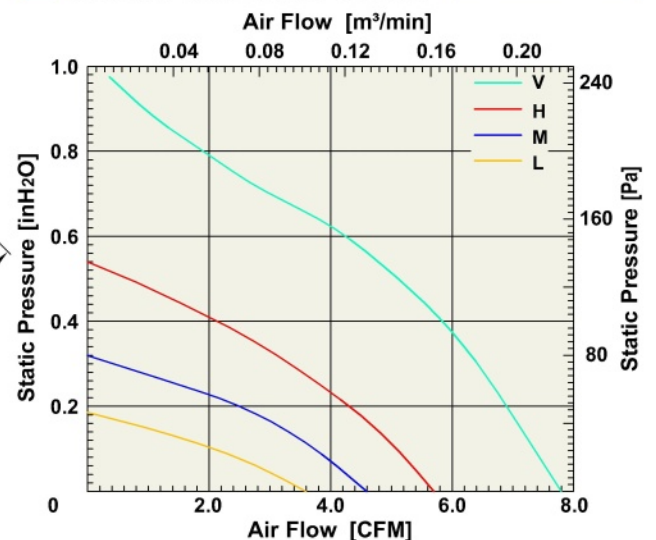


Model (型号)	Bearing System (轴承)	Rated Voltage (电压) [V]	Voltage Range (电压范围) [V]	Current (电流) [A]	Speed (转速) [RPM]	Maximum Air Flow (风量) [CFM]	Maximum Air Flow (风量) [m³/min]	Max. Static Pressure (静压) [inH <sub>2</sub> O]	Max. Static Pressure (静压) [Pa]	Noise Level (噪音) [dB-A]	Mass (质量) [g]
M6025LD0	B/S	5	3.6~6.8	0.23	3000	3.6	0.102	0.185	46	26.4	42
M6025LD1	B/S	12	6.0~13.5	0.13	3000	3.6	0.102	0.185	46	26.4	42
M6025LD2	B/S	24	18.0~26.5	0.06	3000	3.6	0.102	0.185	46	26.4	42
M6025MD0	B/S	5	3.6~6.8	0.45	4000	4.6	0.13	0.32	79.5	30.6	45
M6025MD1	B/S	12	6.0~13.5	0.18	4000	4.6	0.13	0.32	79.5	30.6	45
M6025MD2	B/S	24	18.0~26.5	0.09	4000	4.6	0.13	0.32	79.5	30.6	45
M6025HD1	B/S	12	6.0~13.5	0.23	5000	5.7	0.16	0.54	134.3	36.5	46
M6025HD2	B/S	24	18.0~26.5	0.14	5000	5.7	0.16	0.54	134.3	36.5	46
M6025VD1	B/S	12	6.0~13.5	0.40	5500	7.8	0.22	1.05	261.7	45	46
M6025VD2	B/S	24	18~26.5	0.23	5500	7.8	0.22	1.05	261.7	45	46

## Dimensions Drawing



## Air Flow and Static Pressure



Above specification is only for reference and subject to change without notice.

以上数据仅供参考, 如有变更恕不另行通知。