

AUTO
RESTART

PWM

FG

RD
SIGNAL H

RD
SIGNAL L

EC AXIAL FAN

M28080

□ 280x280x80mm

Series



Impeller : 7 blades ,made of steel

扇 叶: 7叶, 钢制

Frame : Made of Aluminum die-casting ADC-12

扇 框: 压铸铝 ADC-12

Motor : 6 Poles brushless DC motor

電 機: 6极无刷直流

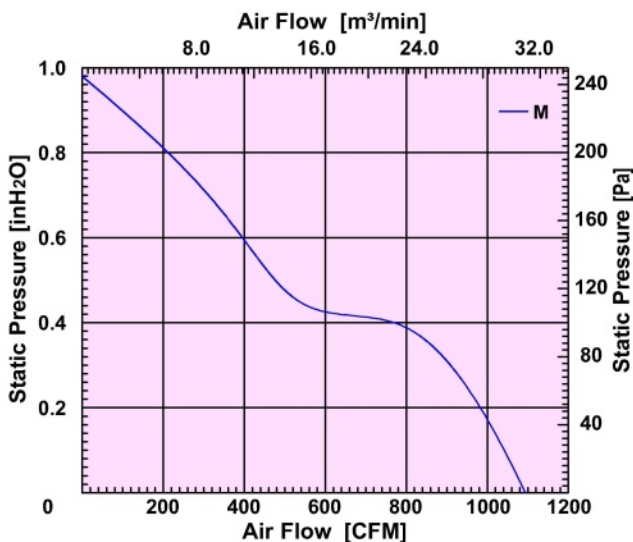
Model (型号)	Bearing System (轴承)	Rated Voltage (电压) [VAC]	Voltage Range (电压范围) [VAC]	Freq. (频率) [Hz]	Input Power (功率) [W]	Speed (转速) [RPM]	Maximum Air Flow (风量) [CFM]	Maximum Air Flow (风量) [m³/min]	Max. Static Pressure (静压) [InH ₂ O]	Max. Static Pressure (静压) [Pa]	Niose Level (噪音) [dB-A]	Mass (质量) [g]
M28090HE1	Ball	110	80~130	50/60	90	2600	1094	31	0.98	244	70	2700
M28090HE2	Ball	220	100~240	50/60	90	2600	1094	31	0.98	244	70	2700

MUTUAL MOTOR

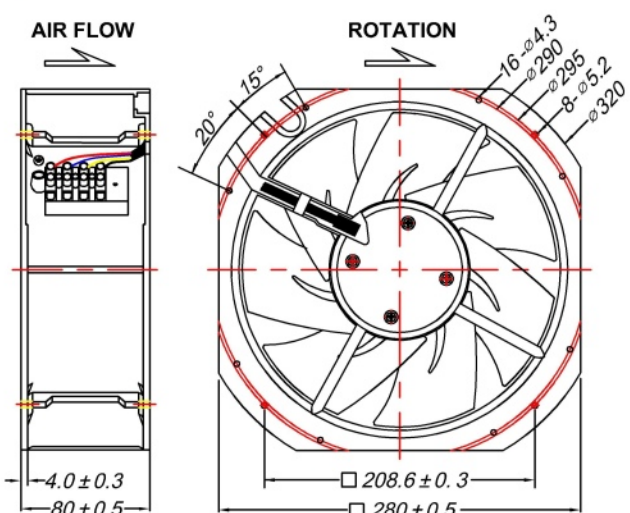
EC 軸流風扇

www.mutualmotor.com

Air Flow and Static Pressure



Dimensions Drawing



Above specification is only for reference and subject to change without notice.
以上数据仅供参考, 如有变更恕不另行通知。