

AUTO
RESTART

PWM

FG

RD
SIGNAL H

RD
SIGNAL L

EC AXIAL FAN

M17251 Series

Ø 171x153x51mm



Impeller : 7 blades ,made of plastic PBT UL94 V-0

扇 叶: 7叶,PBT塑料制,阻燃等级UL94 V-0

Frame : Made of Aluminum die-casting ADC-12

扇 框: 压铸铝 ADC-12

Motor : 8 Poles brushless DC motor

電 機: 8极无刷直流

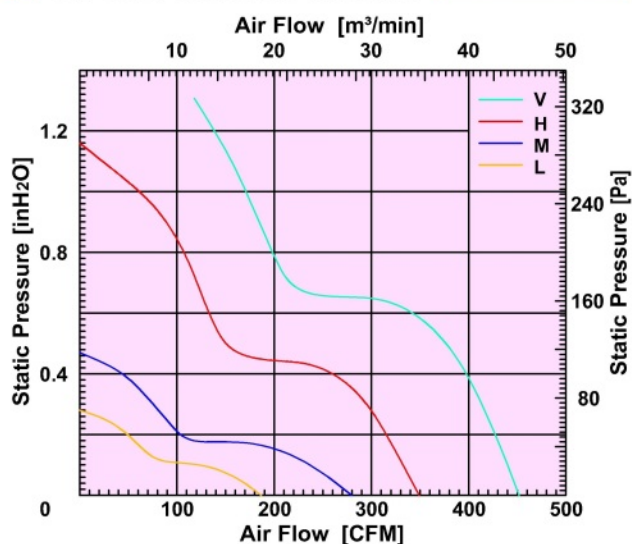
Model (型号)	Bearing System (轴承)	Rated Voltage (电压) [VAC]	Voltage Range (电压范围) [VAC]	Freq. (频率) [Hz]	Input Power (功率) [W]	Speed (转速) [RPM]	Maximum Air Flow (风量) [CFM]	Maximum Air Flow (风量) [m³/min]	Max. Static Pressure (静压) [InH2O]	Max. Static Pressure (静压) [Pa]	Niose Level (噪音) [dB-A]	Mass (质量) [g]
M17251LE1	Ball	110	80~130	50/60	10.5	2000	187.4	5.31	0.28	69.7	51	643
M17251LE2	Ball	220	100~240	50/60	10.5	2000	187.4	5.31	0.28	69.7	51	643
M17251ME1	Ball	110	80~130	50/60	32	3000	280.1	7.93	0.47	117	59.5	648
M17251ME2	Ball	220	100~240	50/60	32	3000	280.1	7.93	0.47	117	59.5	648
M17251HE1	Ball	110	80~130	50/60	61.2	4000	348.3	9.86	1.16	288.8	66.8	652
M17251HE2	Ball	220	100~240	50/60	60	4000	348.3	9.86	1.16	288.8	66.8	652
M17251VE1	Ball	110	80~130	50/60	122	5000	451.8	12.8	1.7	423.3	73	655
M17251VE2	Ball	220	100~240	50/60	120	5000	451.8	12.8	1.7	423.3	73	655

MUTUAL MOTOR

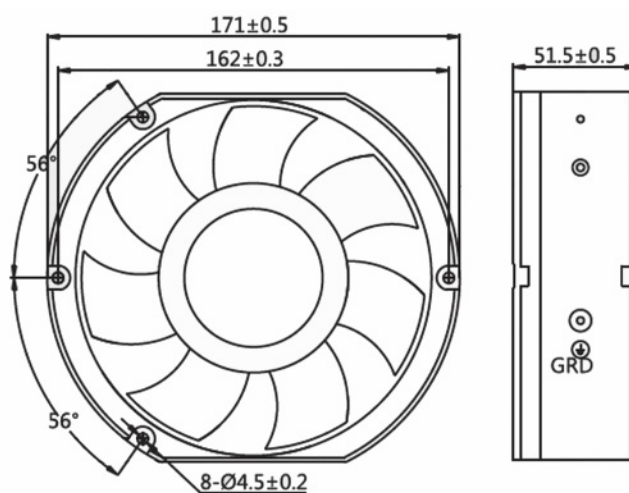
EC 軸流風扇

www.mutualmotor.com

Air Flow and Static Pressure



Dimensions Drawing



Above specification is only for reference and subject to change without notice.

以上数据仅供参考，如有变更恕不另行通知。