

# M12038 EC AXIAL FAN Series

## □ 120x120x38mm

AUTO  
RESTAR

PWM

FG

RD  
SIGNAL H

RD  
SIGNAL L



Impeller : 7 blades ,made of plastic PBT UL94 V-0

扇 叶: 7叶,PBT塑料制, 阻燃等级UL94 V-0

Frame : Made of plastic PBT UL94 V-0

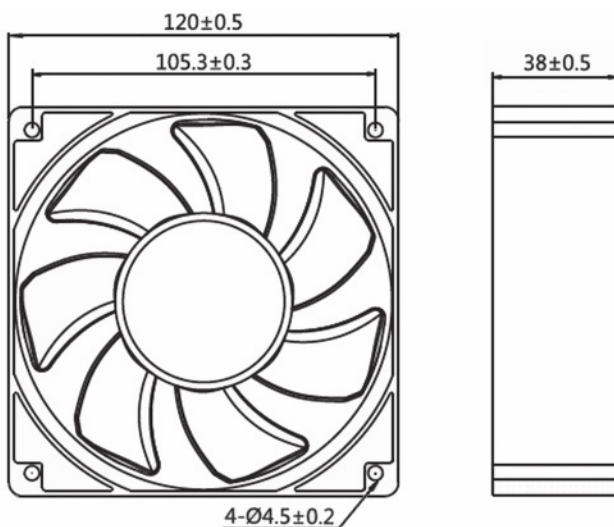
扇 框: PBT塑料制, 阻燃等级UL94 V-0

Motor : 4 Poles brushless DC motor

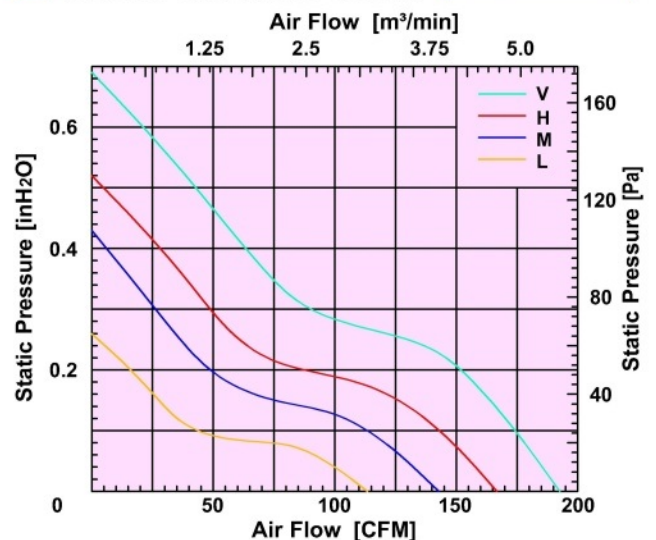
電 機: 4极无刷直流

Model (型号)	Bearing System (轴承)	Rated Voltage (电压) [VAC]	Voltage Range (电压范围) [VAC]	Freq. (频率) [Hz]	Input Power (功率) [W]	Speed (转速) [RPM]	Maximum Air Flow (风量) [CFM]	Maximum Air Flow (风量) [m³/min]	Max. Static Pressure (静压) [inH <sub>2</sub> O]	Max. Static Pressure (静压) [Pa]	Noise Level (噪音) [dB-A]	Mass (质量) [g]
M12038LE1	B/S	110	80~130	50/60	8.1	2500	113.5	3.21	0.26	64.7	48	295
M12038LE2	B/S	220	100~240	50/60	8.1	2500	113.5	3.21	0.26	64.7	48	295
M12038ME1	B/S	110	80~130	50/60	12	3000	142.9	4.04	0.43	107.1	51.5	298
M12038ME2	B/S	220	100~240	50/60	11	3000	142.9	4.04	0.43	107.1	51.5	298
M12038HE1	B/S	110	80~130	50/60	18	3500	166.68	4.72	0.52	129.5	55.5	300
M12038HE2	B/S	220	100~240	50/60	17	3500	166.68	4.72	0.52	129.5	55.5	300
M12038VE1	B/S	110	80~130	50/60	30	4000	192.8	5.4	0.69	171.8	61	302
M12038VE2	B/S	220	100~240	50/60	27	4000	192.8	5.4	0.69	171.8	61	302

### Dimensions Drawing



### Air Flow and Static Pressure



Above specification is only for reference and subject to change without notice.

以上数据仅供参考, 如有变更恕不另行通知。