

AUTO
RESTART

PWM

FG

RD
SIGNAL H

RD
SIGNAL L

EC AXIAL FAN

M12025

□ 120x120x25mm

Series



Impeller : 7 blades ,made of plastic PBT UL94 V-0

扇 叶: 7叶,PBT塑料制, 阻燃等级UL94 V-0

Frame : Made of plastic PBT UL94 V-0

扇 框: PBT塑料制, 阻燃等级UL94 V-0

Motor : 4 Poles brushless DC motor

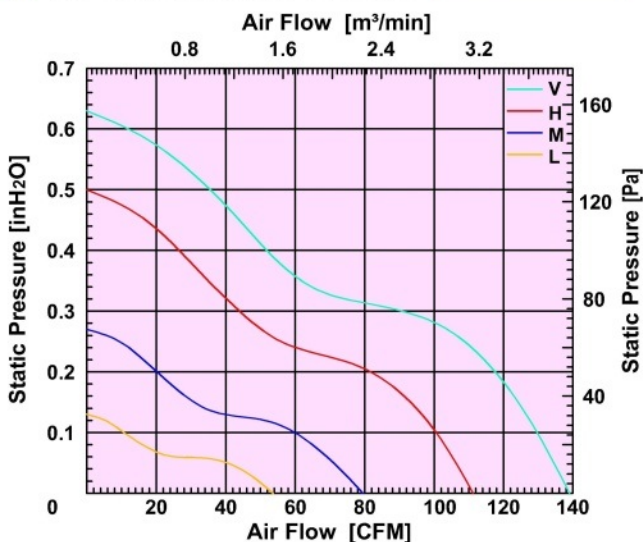
電 機: 4极无刷直流

Model (型号)	Bearing System (轴承)	Rated Voltage (电压) [VAC]	Voltage Range (电压范围) [VAC]	Freq. (频率) [Hz]	Input Power (功率) [W]	Speed (转速) [RPM]	Maximum Air Flow (风量) [CFM]	Maximum Air Flow (风量) [m³/min]	Max. Static Pressure (静压) [InH2O]	Max. Static Pressure (静压) [Pa]	Niose Level (噪音) [dB-A]	Mass (质量) [g]
M12025LE1	B/S	110	80~130	50/60	2.5	2000	53.84	1.52	0.13	32.4	35.6	166
M12025LE2	B/S	220	100~240	50/60	2.5	2000	53.84	1.52	0.13	32.4	35.6	166
M12025ME1	B/S	110	80~130	50/60	4.0	3000	79.51	2.25	0.27	67.2	38.5	169
M12025ME2	B/S	220	100~240	50/60	4.0	3000	79.51	2.25	0.27	67.2	38.5	169
M12025HE1	B/S	110	80~130	50/60	7.5	4000	111.31	3.15	0.50	124.5	46	172
M12025HE2	B/S	220	100~240	50/60	7.5	4000	111.31	3.15	0.50	124.5	46	172
M12025VE1	B/S	110	80~130	50/60	15.5	5000	139.13	3.93	0.63	156.9	56	174
M12025VE2	B/S	220	100~240	50/60	15.5	5000	139.13	3.93	0.63	156.9	56	174

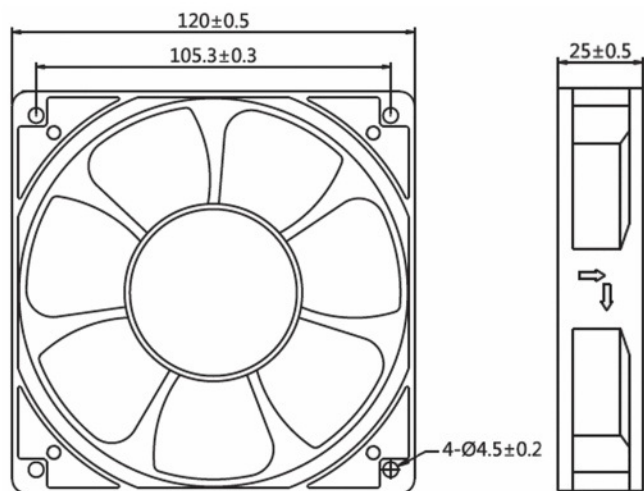
MUTUAL MOTOR

EC 軸流風扇

Air Flow and Static Pressure



Dimensions Drawing



Above specification is only for reference and subject to change without notice.
以上数据仅供参考, 如有变更恕不另行通知。

www.mutualmotor.com