

M12025
[低速型]
Series

EC AXIAL FAN
□ 120x120x25mm



Impeller : 7 blades ,made of plastic PBT UL94 V-0

扇 叶: 7叶,PBT塑料制, 阻燃等级UL94 V-0

Frame : Made of plastic PBT UL94 V-0

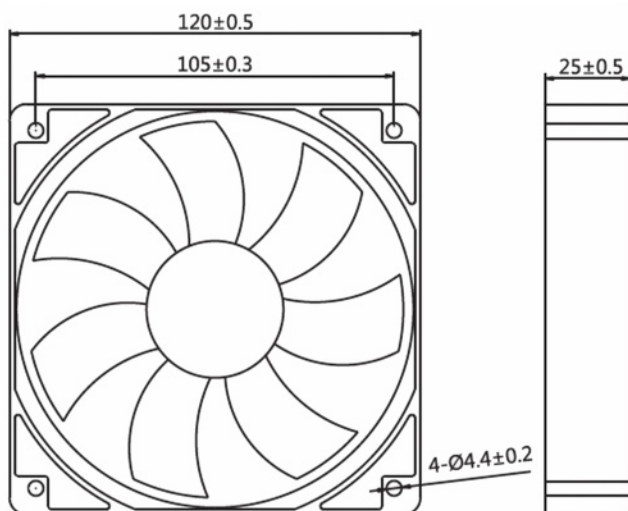
扇 框: PBT塑料制, 阻燃等级UL94 V-0

Motor : 4 Poles brushless DC motor

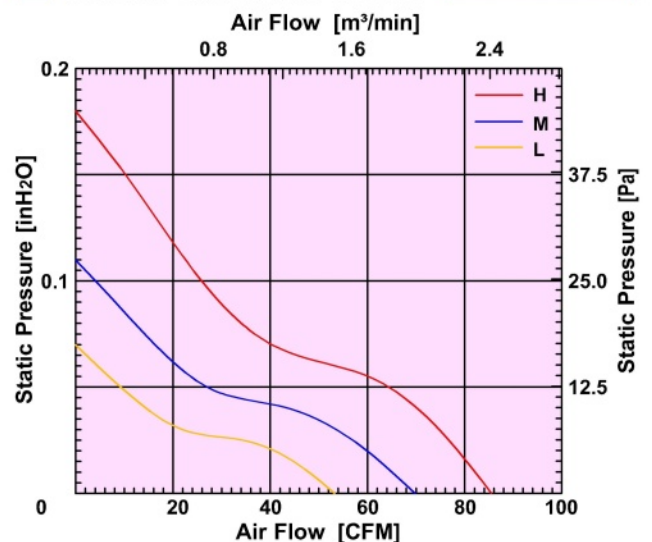
電 機: 4极无刷直流

Model (型号)	Bearing System (轴承)	Rated Voltage (电压) [VAC]	Voltage Range (电压范围) [VAC]	Freq. (频率) [Hz]	Input Power (功率) [W]	Speed (转速) [RPM]	Maximum Air Flow (风量) [CFM]	Maximum Air Flow (风量) [m³/min]	Max. Static Pressure (静压) [InH2O]	Max. Static Pressure (静压) [Pa]	Niose Level (噪音) [dB-A]	Mass (质量) [g]
M12025LE1	B/S	110	80~130	50/60	2.15	1500	53.35	1.51	0.07	17.4	26	116
M12025LE2	B/S	220	100~240	50/60	2.15	1500	53.35	1.51	0.07	17.4	26	116
M12025ME1	B/S	110	80~130	50/60	3.55	2000	69.75	2.0	0.11	27.4	33	120
M12025ME2	B/S	220	100~240	50/60	3.55	2000	69.75	2.0	0.11	27.4	33	120
M12025HE1	B/S	110	80~130	50/60	7.2	2600	85.61	2.42	0.18	44.8	41	123
M12025HE2	B/S	220	100~240	50/60	7.2	2600	85.61	2.42	0.18	44.8	41	123

Dimensions Drawing



Air Flow and Static Pressure



Above specification is only for reference and subject to change without notice.
以上数据仅供参考, 如有变更恕不另行通知。