

M8025
[增压型]
Series

EC AXIAL FAN
□ 80 x 80 x 25 mm

AUTO
RESTAR

PWM

FG

RD
SIGNAL H

RD
SIGNAL L



Impeller : 9 blades ,made of plastic PBT UL94 V-0

扇 叶: 9叶,PBT塑料制, 阻燃等级UL94 V-0

Frame : Made of plastic PBT UL94 V-0

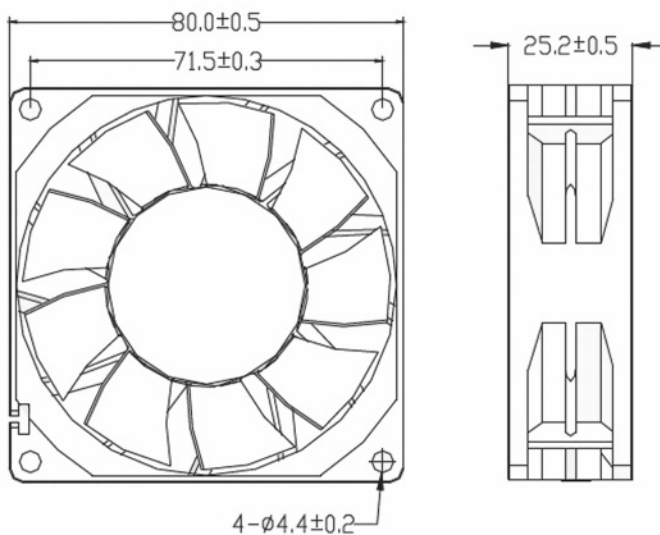
扇 框: PBT塑料制, 阻燃等级UL94 V-0

Motor : 4 Poles brushless DC motor

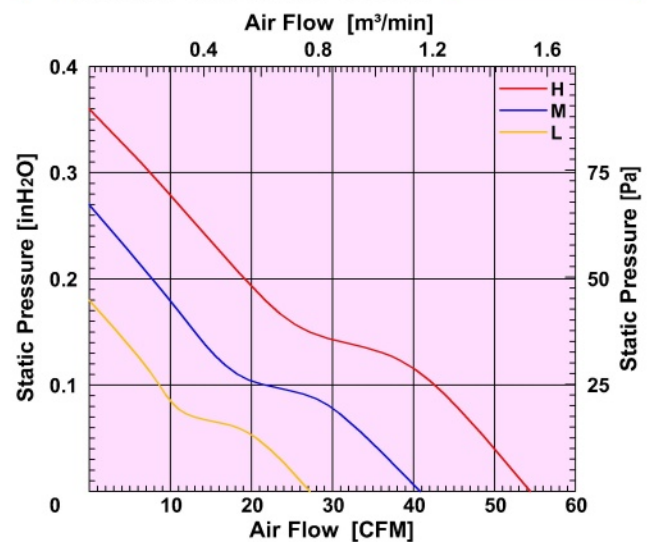
電 機: 4极无刷直流

Model (型号)	Bearing System (轴承)	Rated Voltage (电压) [VAC]	Voltage Range (电压范围) [VAC]	Freq. (频率) [Hz]	Input Power (功率) [W]	Speed (转速) [RPM]	Maximum Air Flow (风量) [CFM]	Maximum Air Flow (风量) [m³/min]	Max. Static Pressure (静压) [InH2O]	Max. Static Pressure (静压) [Pa]	Niose Level (噪音) [dB-A]	Mass (质量) [g]
M8025LE1	B/S	110	80~130	50/60	1.94	2000	27.20	0.77	0.18	44.8	22	75
M8025LE2	B/S	220	100~240	50/60	1.94	2000	27.20	0.77	0.18	44.8	22	75
M8025ME1	B/S	110	80~130	50/60	3.00	3000	40.80	1.16	0.27	67.2	33	77
M8025ME2	B/S	220	100~240	50/60	3.00	3000	40.80	1.16	0.27	67.2	33	77
M8025HE1	B/S	110	80~130	50/60	4.08	4000	54.40	1.54	0.36	89.6	42	78
M8025HE2	B/S	220	100~240	50/60	4.08	4000	54.40	1.54	0.36	89.6	42	78

Dimensions Drawing



Air Flow and Static Pressure



Above specification is only for reference and subject to change without notice.

以上数据仅供参考, 如有变更恕不另行通知。