

AUTO  
RESTAR

PWM

FG

RD  
SIGNAL H

RD  
SIGNAL L

# DC AXIAL FAN

□ 60 x 60 x 20 mm

M6020  
Series



Impeller : 7 blades ,made of plastic PBT UL94 V-0

扇 叶: 7叶,PBT塑料制, 阻燃等级UL94 V-0

Frame : Made of plastic PBT UL94 V-0

扇 框: PBT塑料制, 阻燃等级UL94 V-0

Motor : 4 Poles brushless DC motor

電 機: 4极无刷直流

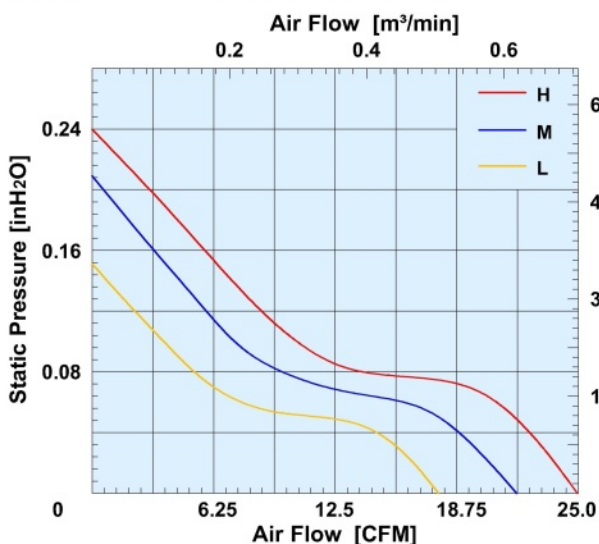
Model (型号)	Bearing System (轴承)	Rated Voltage (电压) [V]	Voltage Range (电压范围) [V]	Current (电流) [A]	Speed (转速) [RPM]	Maximum Air Flow (风量) [CFM]	Maximum Air Flow (风量) [m³/min]	Max. Static Pressure (静压) [InH <sub>2</sub> O]	Max. Static Pressure (静压) [Pa]	Niose Level (噪音) [dB-A]	Mass (质量) [g]
M6020LD0	B/S	5	3.6~6.8	0.21	3500	17.83	0.51	0.15	37.35	28	47.5
M6020LD1	B/S	12	6.0~13.5	0.10	3500	17.83	0.51	0.15	37.35	28	47.5
M6020LD2	B/S	24	18.0~26.5	0.06	3500	17.83	0.51	0.15	37.35	28	47.5
M6020MD1	B/S	12	6.0~13.5	0.17	4300	21.81	0.62	0.21	52.3	34.2	47.5
M6020MD2	B/S	24	18.0~26.5	0.09	4300	21.81	0.62	0.21	52.3	34.2	47.5
M6020HD1	B/S	12	6.0~13.5	0.20	4700	24.91	0.71	0.24	59.8	36.8	47.5
M6020HD2	B/S	24	18.0~26.5	0.11	4700	24.91	0.71	0.24	59.8	36.8	47.5

MUTUAL MOTOR

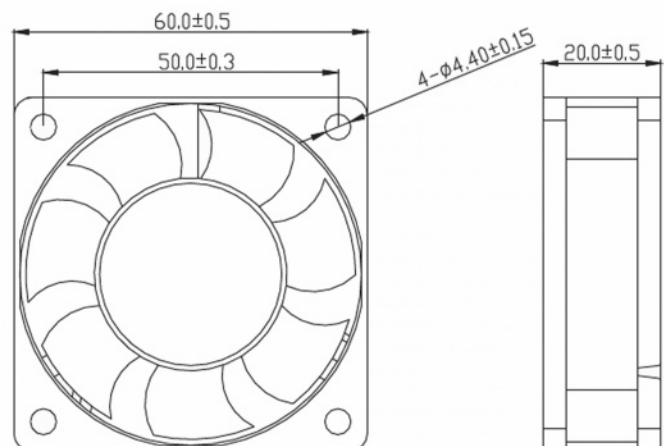
直流轴流风扇

www.mutualmotor.com

## Air Flow and Static Pressure



## Dimensions Drawing



Above specification is only for reference and subject to change without notice.

以上数据仅供参考, 如有变更恕不另行通知。