

AUTO  
RESTAR

PWM

FG

RD  
SIGNAL H

RD  
SIGNAL L

# DC AXIAL FAN

□ 70 x 70 x 25 mm

M7025  
Series



Impeller : 7 blades ,made of plastic PBT UL94 V-0

扇 叶: 7叶,PBT塑料制,阻燃等级UL94 V-0

Frame : Made of plastic PBT UL94 V-0

扇 框: PBT塑料制,阻燃等级UL94 V-0

Motor : 4 Poles brushless DC motor

電 機: 4极无刷直流

Model (型号)	Bearing System (轴承)	Rated Voltage (电压) [V]	Voltage Range (电压范围) [V]	Current (电流) [A]	Speed (转速) [RPM]	Maximum Air Flow (风量) [CFM]	Maximum Air Flow (风量) [m³/min]	Max. Static Pressure (静压) [InH2O]	Max. Static Pressure (静压) [Pa]	Niose Level (噪音) [dB-A]	Mass (质量) [g]
M7025LD1	B/S	12	6.0~13.5	0.10	3000	22.71	0.64	0.14	34.86	34.0	64
M7025LD2	B/S	24	18.0~26.5	0.07	3000	22.71	0.64	0.14	34.86	34.0	64
M7025MD1	B/S	12	6.0~13.5	0.15	3500	25.21	0.71	0.18	44.8	37.8	64
M7025MD2	B/S	24	18.0~26.5	0.09	3500	25.21	0.71	0.18	44.8	37.8	64
M7025HD1	B/S	12	6.0~13.5	0.16	4000	32.64	0.93	0.24	59.8	42.0	65
M7025HD2	B/S	24	18.0~26.5	0.11	4000	32.64	0.93	0.24	59.8	42.0	65
M7025VD1	B/S	12	6.0~13.5	0.27	4900	44.37	1.26	0.44	109.6	45.6	67
M7025VD2	B/S	24	18.0~26.5	0.17	4900	44.37	1.26	0.44	109.6	45.6	67
M7025SD1	B/S	12	6.0~13.5	0.68	6000	61.08	1.73	0.55	137	54.0	68
M7025SD2	B/S	24	18.0~26.5	0.30	6000	61.08	1.73	0.55	137	54.0	68
M7025SD4	B/S	48	36.0~54.0	0.15	6000	61.08	1.73	0.55	137	54.0	68

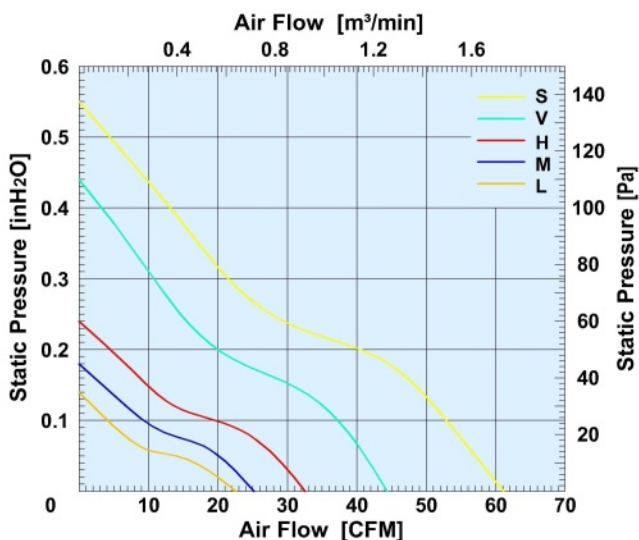


MUTUAL MOTOR

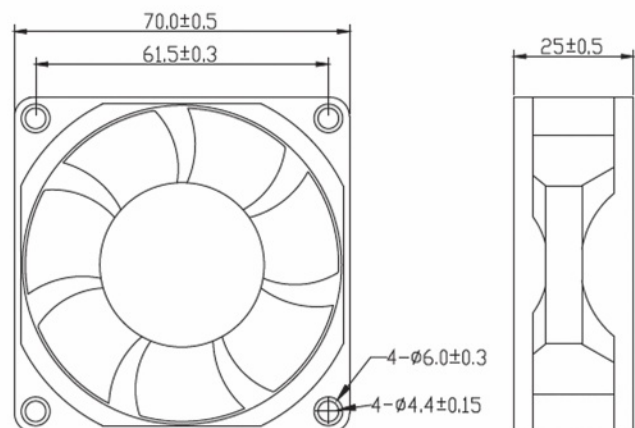
直  
流  
軸  
流  
風  
扇

www.mutualmotor.com

## Air Flow and Static Pressure



## Dimensions Drawing



Above specification is only for reference and subject to change without notice.

以上数据仅供参考, 如有变更恕不另行通知。