

M7020 Series

DC AXIAL FAN

70 x 70 x 20 mm



Impeller : 9 blades ,made of plastic PBT UL94 V-0

扇 叶: 9叶,PBT塑料制,阻燃等级UL94 V-0

Frame : Made of plastic PBT UL94 V-0

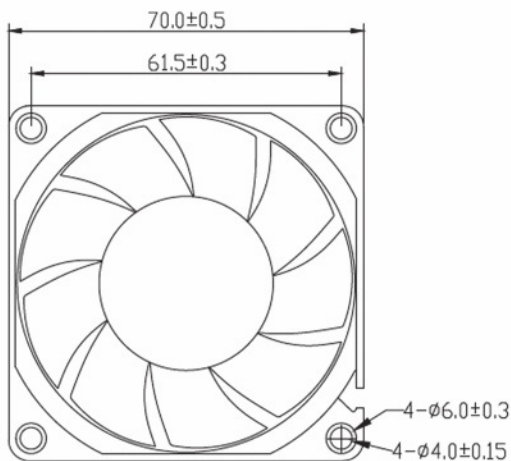
扇 框: PBT塑料制,阻燃等级UL94 V-0

Motor : 4 Poles brushless DC motor

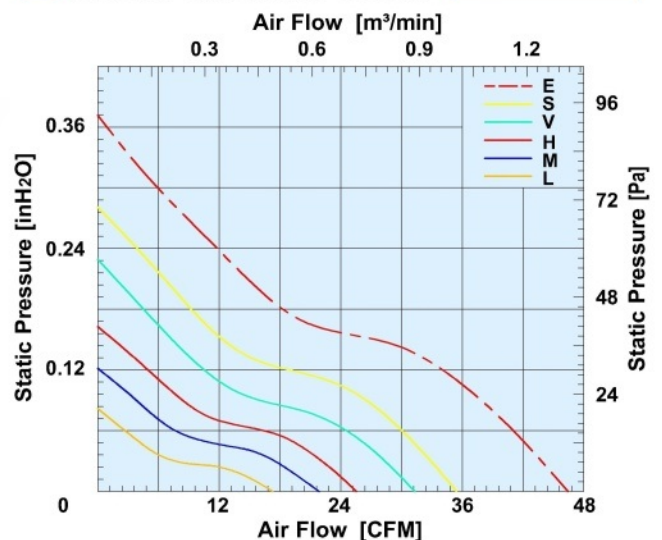
電 機: 4极无刷直流

Model (型号)	Bearing System (轴承)	Rated Voltage (电压) [V]	Voltage Range (电压范围) [V]	Current (电流) [A]	Speed (转速) [RPM]	Maximum Air Flow (风量) [CFM]	Maximum Air Flow (风量) [m³/min]	Max. Static Pressure (静压) [InH2O]	Max. Static Pressure (静压) [Pa]	Noise Level (噪音) [dB-A]	Mass (质量) [g]
M7020LD1	B/S	12	6.0~13.5	0.13	2500	17.3	0.49	0.082	20.4	26.0	56
M7020LD2	B/S	24	18.0~26.5	0.07	2500	17.3	0.49	0.082	20.4	26.0	56
M7020MD1	B/S	12	6.0~13.5	0.17	3000	21.9	0.62	0.122	30.4	31.0	57.5
M7020MD2	B/S	24	18.0~26.5	0.10	3000	21.9	0.62	0.122	30.4	31.0	57.5
M7020HD1	B/S	12	6.0~13.5	0.17	3500	25.54	0.723	0.163	40.6	35.2	59
M7020HD2	B/S	24	18.0~26.5	0.10	3500	25.54	0.723	0.163	40.6	35.2	59
M7020VD1	B/S	12	6.0~13.5	0.17	4000	31.4	0.89	0.23	57.3	37.0	59
M7020VD2	B/S	24	18.0~26.5	0.10	4000	31.4	0.89	0.23	57.3	37.0	59
M7020SD1	B/S	12	6.0~13.5	0.17	4500	35.5	1.005	0.281	70	39.4	60
M7020SD2	B/S	24	18.0~26.5	0.10	4500	35.5	1.005	0.281	70	39.4	60
M7020ED1	B/S	12	6.0~13.5	0.17	5000	46.5	1.317	0.37	92.1	45.2	60
M7020ED2	B/S	24	18.0~26.5	0.10	5000	46.5	1.317	0.37	92.1	45.2	60

Dimensions Drawing



Air Flow and Static Pressure



Above specification is only for reference and subject to change without notice.

以上数据仅供参考, 如有变更恕不另行通知。