

AUTO
RESTAR

PWM

FG

RD
SIGNAL H

RD
SIGNAL L

DC AXIAL FAN

□ 60 x 60 x 38 mm

M6038
Series



Impeller : 7 blades ,made of plastic PBT UL94 V-0

扇 叶: 7叶,PBT塑料制, 阻燃等级UL94 V-0

Frame : Made of plastic PBT UL94 V-0

扇 框: PBT塑料制, 阻燃等级UL94 V-0

Motor : 4 Poles brushless DC motor

電 機: 4极无刷直流

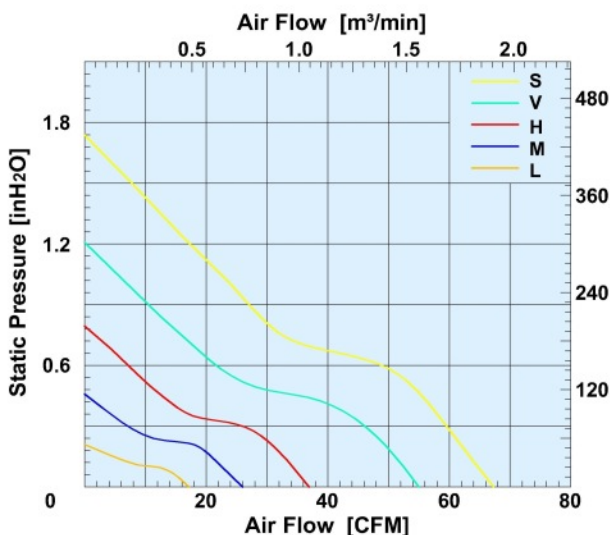
Model (型号)	Bearing System (轴承)	Rated Voltage (电压) [V]	Voltage Range (电压范围) [V]	Current (电流) [A]	Speed (转速) [RPM]	Maximum Air Flow (风量) [CFM]	Maximum Air Flow (风量) [m³/min]	Max. Static Pressure (静压) [InH ₂ O]	Max. Static Pressure (静压) [Pa]	Niose Level (噪音) [dB-A]	Mass (质量) [g]
M6038LD1	B/S	12	6.0~13.5	0.10	4000	17.03	0.482	0.213	53.0	30.5	100
M6038LD2	B/S	24	18.0~26.5	0.06	4000	17.03	0.482	0.213	53.0	30.5	100
M6038MD1	B/S	12	6.0~13.5	0.21	6000	26.07	0.738	0.468	116.5	38.9	102
M6038MD2	B/S	24	18.0~26.5	0.13	6000	26.07	0.738	0.468	116.5	38.9	102
M6038MD4	B/S	48	36.0~54.0	0.09	6000	26.07	0.738	0.468	116.5	38.9	102
M6038HD1	B/S	12	6.0~13.5	0.58	8000	36.95	1.046	0.788	196.2	44.5	104
M6038HD2	B/S	24	18.0~26.5	0.32	8000	36.95	1.046	0.788	196.2	44.5	104
M6038HD4	B/S	48	36.0~54.0	0.14	8000	36.95	1.046	0.788	196.2	44.5	104
M6038VD1	B/S	12	6.0~13.5	0.88	10000	55.30	1.566	1.217	303	57	105
M6038VD2	B/S	24	18.0~26.5	0.45	10000	55.30	1.566	1.217	303	57	105
M6038VD4	B/S	48	36.0~54.0	0.23	10000	55.30	1.566	1.217	303	57	105
M6038SD1	B/S	12	6.0~13.5	1.50	12000	66.75	1.89	1.74	433.3	63	106
M6038SD2	B/S	24	18.0~26.5	0.80	12000	66.75	1.89	1.74	433.3	63	106
M6038SD4	B/S	48	36.0~54.0	0.40	12000	66.75	1.89	1.74	433.3	63	106

MUTUAL MOTOR

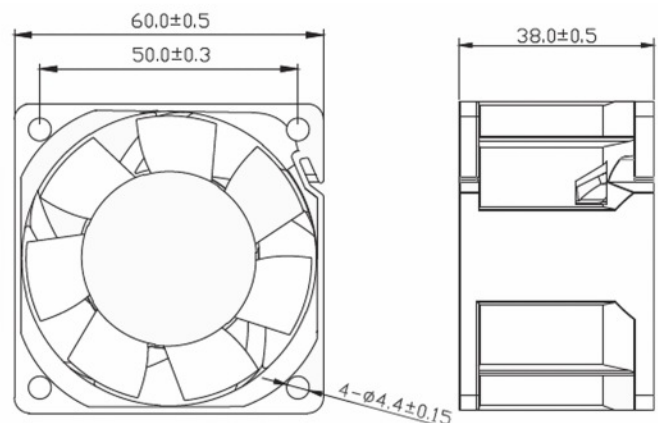
直流轴流风扇

www.mutualmotor.com

Air Flow and Static Pressure



Dimensions Drawing



Above specification is only for reference and subject to change without notice.

以上数据仅供参考, 如有变更恕不另行通知。