

M6025 Series

DC AXIAL FAN

□ 60 x 60 x 25 mm



Impeller : 7 blades ,made of plastic PBT UL94 V-0

扇 叶: 7叶,PBT塑料制, 阻燃等级UL94 V-0

Frame : Made of plastic PBT UL94 V-0

扇 框: PBT塑料制, 阻燃等级UL94 V-0

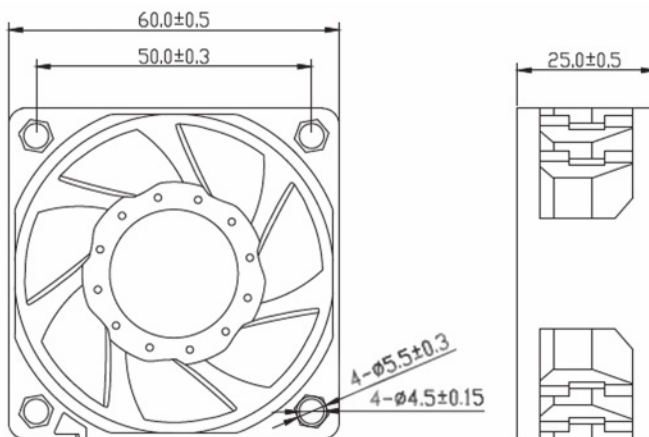
Motor : 4 Poles brushless DC motor

電 機: 4极无刷直流

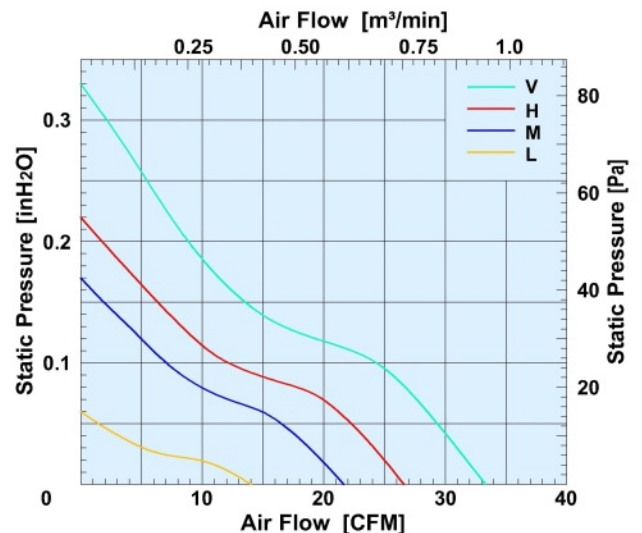


| Model (型号) | Bearing System (轴承) | Rated Voltage (电压) [V] | Voltage Range (电压范围) [V] | Current (电流) [A] | Speed (转速) [RPM] | Maximum Air Flow (风量) [CFM] | Maximum Air Flow (风量) [m³/min] | Max. Static Pressure (静压) [InH ₂ O] | Max. Static Pressure (静压) [Pa] | Niose Level (噪音) [dB-A] | Mass (质量) [g] |
|---------------|------------------------|------------------------------|--------------------------------|------------------------|------------------------|-----------------------------------|--------------------------------------|--|--------------------------------------|-------------------------------|---------------------|
| M6025LD0 | B/S | 5 | 3.6~6.8 | 0.20 | 3000 | 14.10 | 0.41 | 0.06 | 14.9 | 26.5 | 55 |
| M6025LD1 | B/S | 12 | 6.0~13.5 | 0.11 | 3000 | 14.10 | 0.41 | 0.06 | 14.9 | 26.5 | 55 |
| M6025LD2 | B/S | 24 | 18.0~26.5 | 0.07 | 3000 | 14.10 | 0.41 | 0.06 | 14.9 | 26.5 | 55 |
| M6025MD1 | B/S | 12 | 6.0~13.5 | 0.17 | 4000 | 21.63 | 0.61 | 0.17 | 42.3 | 33.2 | 55 |
| M6025MD2 | B/S | 24 | 18.0~26.5 | 0.10 | 4000 | 21.63 | 0.61 | 0.17 | 42.3 | 33.2 | 55 |
| M6025MD4 | B/S | 48 | 36.0~54.0 | 0.05 | 4000 | 21.63 | 0.61 | 0.17 | 42.3 | 33.2 | 55 |
| M6025HD1 | B/S | 12 | 6.0~13.5 | 0.27 | 4800 | 26.65 | 0.75 | 0.22 | 54.8 | 36.4 | 56 |
| M6025HD2 | B/S | 24 | 18.0~26.5 | 0.11 | 4800 | 26.65 | 0.75 | 0.22 | 54.8 | 36.4 | 56 |
| M6025HD4 | B/S | 48 | 36.0~54.0 | 0.07 | 4800 | 26.65 | 0.75 | 0.22 | 54.8 | 36.4 | 56 |
| M6025VD1 | B/S | 12 | 6.0~13.5 | 0.55 | 6000 | 33.26 | 0.94 | 0.33 | 82.2 | 40.5 | 57 |
| M6025VD2 | B/S | 24 | 18.0~26.5 | 0.16 | 6000 | 33.26 | 0.94 | 0.33 | 82.2 | 40.5 | 57 |
| M6025VD4 | B/S | 48 | 36.0~54.0 | 0.09 | 6000 | 33.26 | 0.94 | 0.33 | 82.2 | 40.5 | 57 |

Dimensions Drawing



Air Flow and Static Pressure



Above specification is only for reference and subject to change without notice.

以上数据仅供参考, 如有变更恕不另行通知。