



Impeller : 5 blades ,made of steel

扇 叶: 5叶 钢制

Frame : Made of die-cast Aluminum ADC-12

扇 框: 压铸铝 ADC-12

Motor : External rotor & shaded pole induction motor

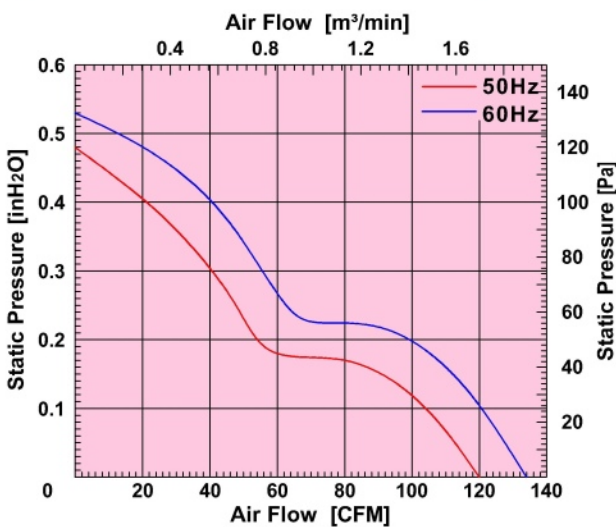
電 機: 外轉子蔽極异步電機

Motor Protection : Impedance protection

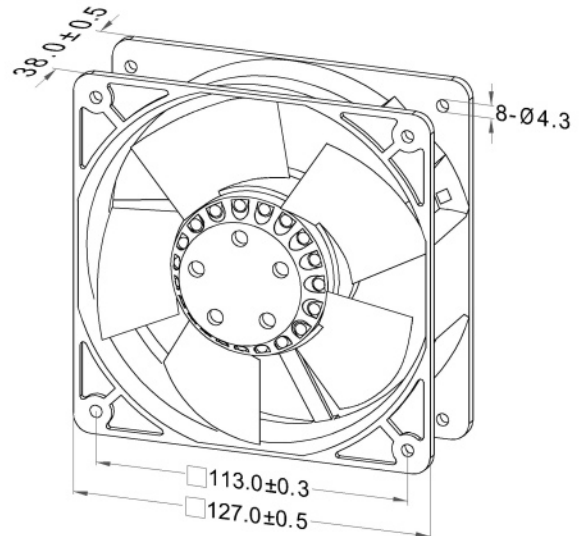
電機保护 : 阻抗保护

Model (型号)	Bearing System (轴承)	Rated Voltage (电压) [V]	Freq. (频率) [Hz]	Current (电流) [A]	Input power (功率) [W]	Speed (转速) [RPM]	Maximum Air Flow (风量) [CFM]	Maximum Air Flow (风量) [m³/min]	Max. Static Pressure (静压) [InchH <sub>2</sub> O]	Max. Static Pressure (静压) [Pa]	Niose Level (噪音) [dB-A]	Mass (质量) [g]
M120BA1H	Ball	115	50/60	0.28/1.60	27/160	2600/3000	120/134	3.4/3.8	0.48/0.53	119.5/132	50/55	650
M120BA2H	Ball	230	50/60	0.16/0.84	25/160	2600/3000	120/134	3.4/3.8	0.48/0.53	119.5/132	50/55	650

### Air Flow & Static Pressure Curve



### Dimensions Drawing



Above specification is only for reference and subject to change without notice.  
 以上数据仅供参考，如有变更恕不另行通知。