



Impeller : 7 blades ,made of steel

扇 叶: 7叶 钢制

Frame : Made of die-cast Aluminum ADC-12

扇 框: 压铸铝 ADC-12

Motor : External rotor & shaded pole induction motor

電 機: 外轉子蔽極异步電機

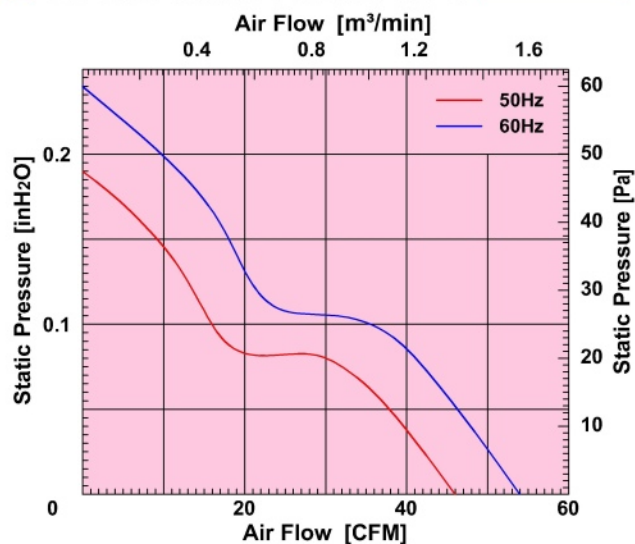
Motor Protection : Impedance protection

電機保护 : 阻抗保护

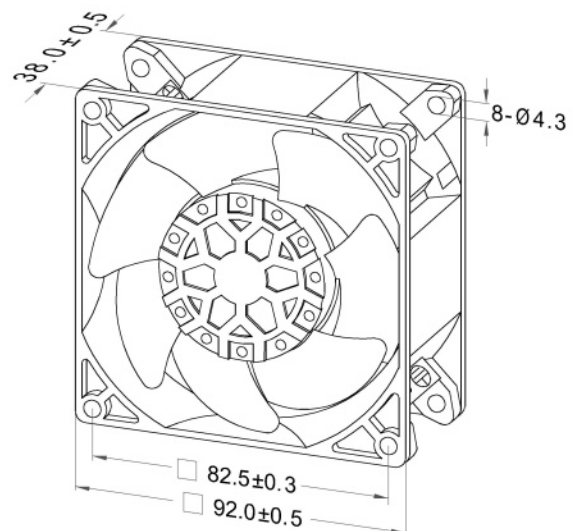
Model (型号)	Bearing System (轴承)	Rated Voltage (电压) [V]	Freq. (频率) [Hz]	Current (电流) [A]	Input power (功率) [W]	Speed (转速) [RPM]	Maximum Air Flow (风量) [CFM]	Maximum Air Flow (风量) [m³/min]	Max. Static Pressure (静压) [InchH ₂ O]	Max. Static Pressure (静压) [Pa]	Niose Level (噪音) [dB-A]	Mass (质量) [g]
M088BA1H	Ball	115	50/60	0.20/0.16	18/15	2600/3100	46/54	1.30/1.53	0.19/0.24	47/58.8	38/40	480
M088BA2H	Ball	230	50/60	0.10/0.08	18/15	2600/3100	46/54	1.30/1.53	0.19/0.24	47/58.8	38/40	480



Air Flow & Static Pressure Curve



Dimensions Drawing



Above specification is only for reference and subject to change without notice.

以上数据仅供参考，如有变更恕不另行通知。