

M22580 DC AXIAL FAN Series

□ 225x225x80mm

AUTO
RESTAR

PWM

FG

RD
SIGNAL H

RD
SIGNAL L



Impeller : 7 blades ,made of steel

扇 叶: 7叶,钢制

Frame : Made of Aluminum die-casting ADC-12

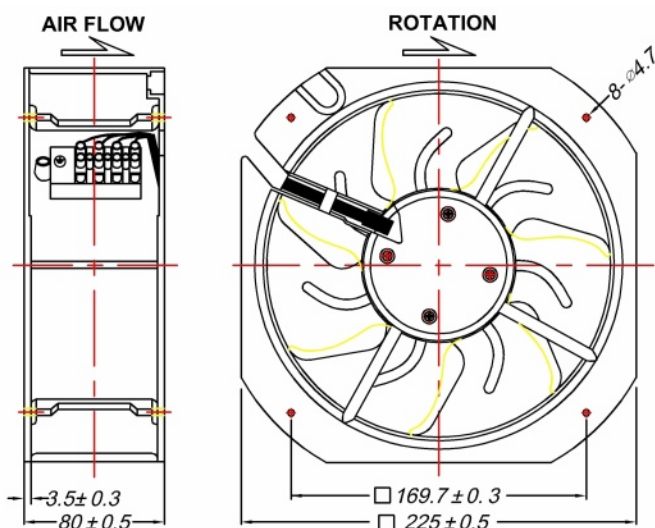
扇 框: 压铸铝 ADC-12

Motor : 6 Poles brushless DC motor

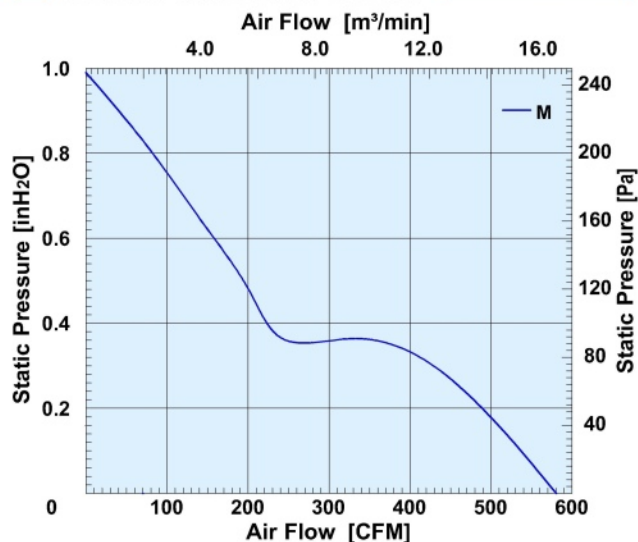
電 機: 6极无刷直流

Model (型号)	Bearing System (轴承)	Rated Voltage (电压) [V]	Voltage Range (电压范围) [V]	Current (电流) [A]	Speed (转速) [RPM]	Maximum Air Flow (风量) [CFM]	Maximum Air Flow (风量) [m³/min]	Max. Static Pressure (静压) [inH ₂ O]	Max. Static Pressure (静压) [Pa]	Niose Level (噪音) [dB-A]	Mass (质量) [g]
M22580MD2	Ball	24	16.0~28.0	2.4	2800	581	16.45	0.99	247.5	62	2200
M22580MD4	Ball	48	36.0~56.0	1.2	2800	581	16.45	0.99	247.5	62	2200

Dimensions Drawing



Air Flow and Static Pressure



Above specification is only for reference and subject to change without notice.

以上数据仅供参考，如有变更恕不另行通知。