

AUTO
RESTAR

PWM

FG

RD
SIGNAL H

RD
SIGNAL L

DC AXIAL FAN M17251

Series

Ø 172x153x51mm



Impeller : 5 blades ,made of plastic PBT UL94 V-0

扇 叶: 5叶,PBT塑料制,阻燃等级UL94 V-0

Frame : Made of Aluminum die-casting ADC-12

扇 框: 压铸铝 ADC-12

Motor : 8 Poles brushless DC motor

電 機: 8极无刷直流

Model (型号)	Bearing System (轴承)	Rated Voltage (电压) [V]	Voltage Range (电压范围) [V]	Current (电流) [A]	Speed (转速) [RPM]	Maximum Air Flow (风量) [CFM]	Maximum Air Flow (风量) [m³/min]	Max. Static Pressure (静压) [InH2O]	Max. Static Pressure (静压) [Pa]	Niose Level (噪音) [dB-A]	Mass (质量) [g]
M17251SD1	B	12	6.0~13.5	3.75	4500	352.1	9.97	1.0	250.2	67.0	678
M17251SD2	B	24	18.0~26.5	1.85	4500	352.1	9.97	1.0	250.2	67.0	678
M17251SD4	B	48	36.0~54.0	0.95	4500	352.1	9.97	1.0	250.2	67.0	678
M17251ED1	B	12	6.0~13.5	5.0	5000	381.2	10.78	1.327	330.4	69.4	690
M17251ED2	B	24	18.0~26.5	2.48	5000	381.2	10.78	1.327	330.4	69.4	690
M17251ED4	B	48	36.0~54.0	1.25	5000	381.2	10.78	1.327	330.4	69.4	690
M17251GD1	B	12	6.0~13.5	6.30	5500	407.4	11.53	1.65	410.7	71.0	694
M17251GD2	B	24	18.0~26.5	3.10	5500	407.4	11.53	1.65	410.7	71.0	694
M17251GD4	B	48	36.0~54.0	1.56	5500	407.4	11.53	1.65	410.7	71.0	694
M17251UD2	B	24	18.0~26.5	5.32	6500	455.1	12.89	2.47	615.8	83.5	700
M17251UD4	B	48	36.0~54.0	2.62	6500	455.1	12.89	2.47	615.8	83.5	700

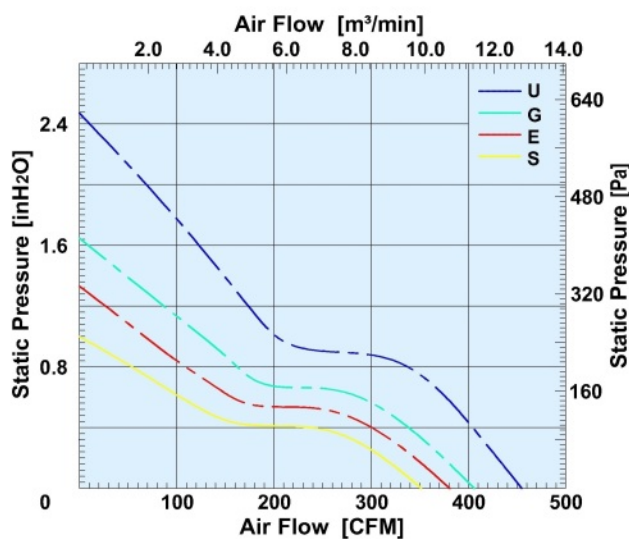
PS.低转数据参考M15050--5叶

MUTUAL MOTOR

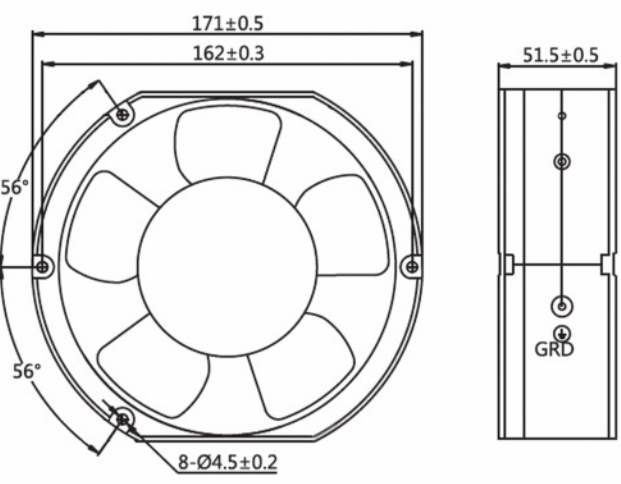
直流轴流风扇

www.mutualmotor.com

Air Flow and Static Pressure



Dimensions Drawing



Above specification is only for reference and subject to change without notice.
以上数据仅供参考, 如有变更恕不另行通知。